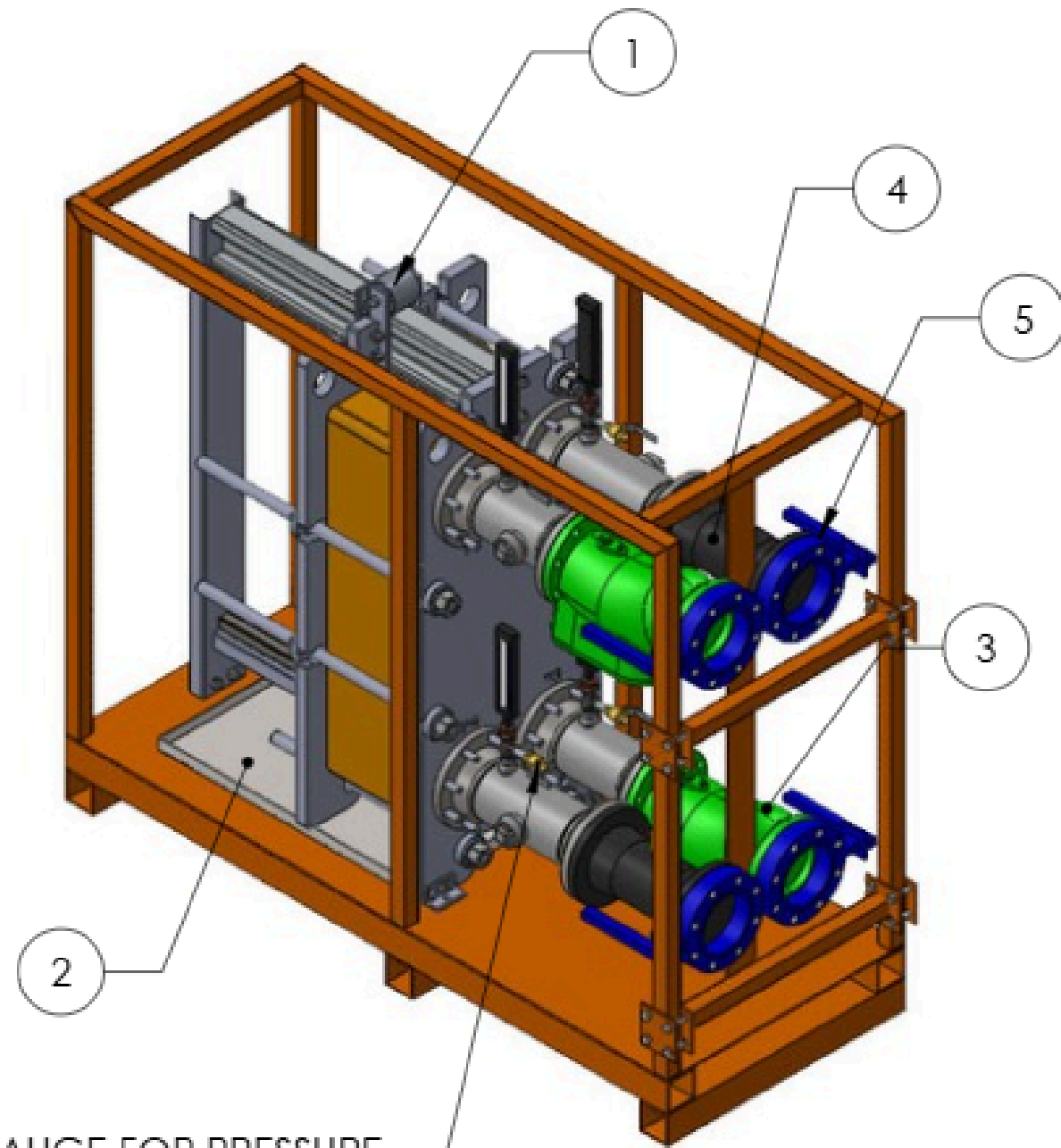




Sample Water-to-Water Heat Transfer Package

Example documentation for reference only.
Final drawings are project specific.

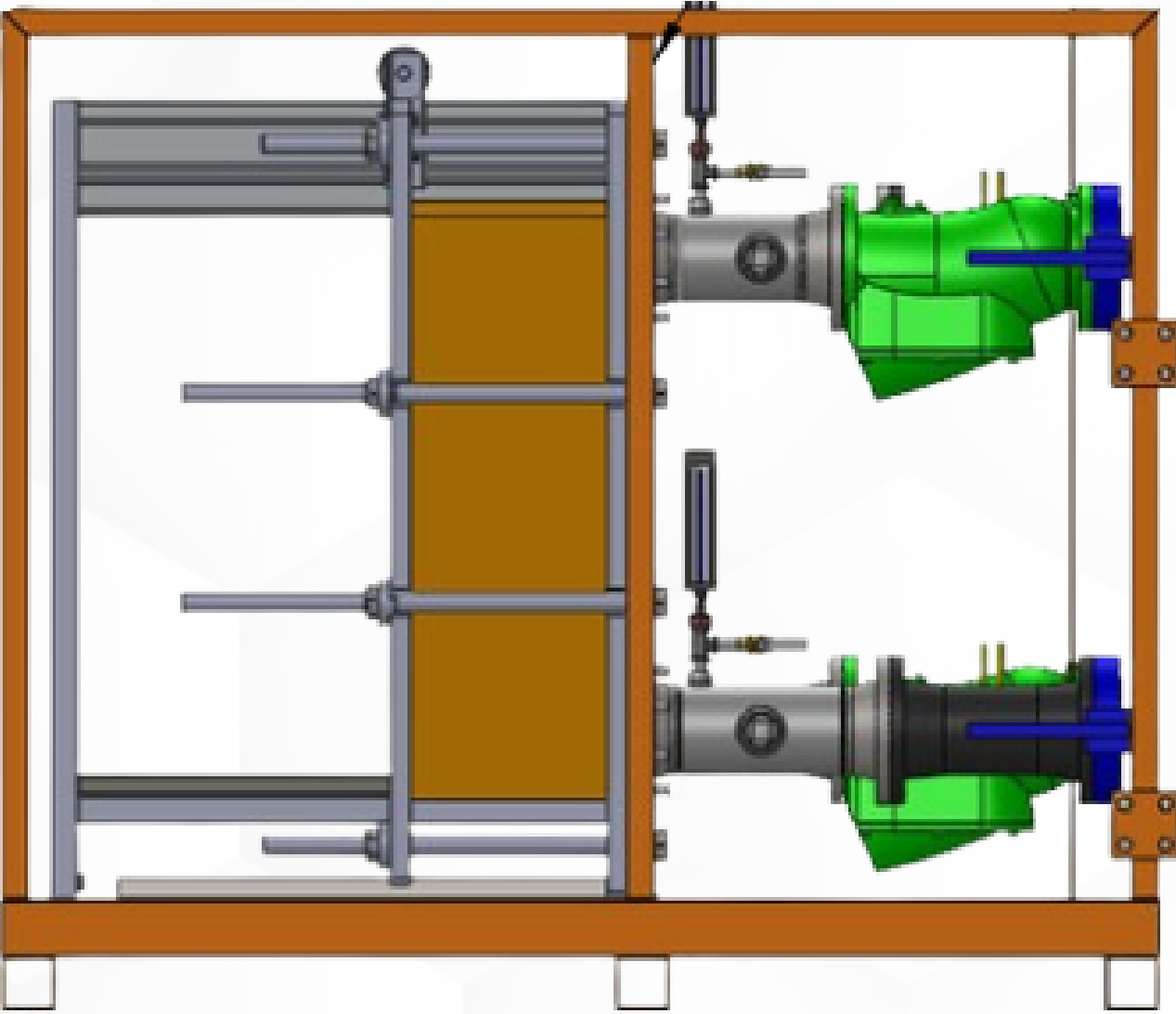
Water-to-Water Heat Transfer Package #1



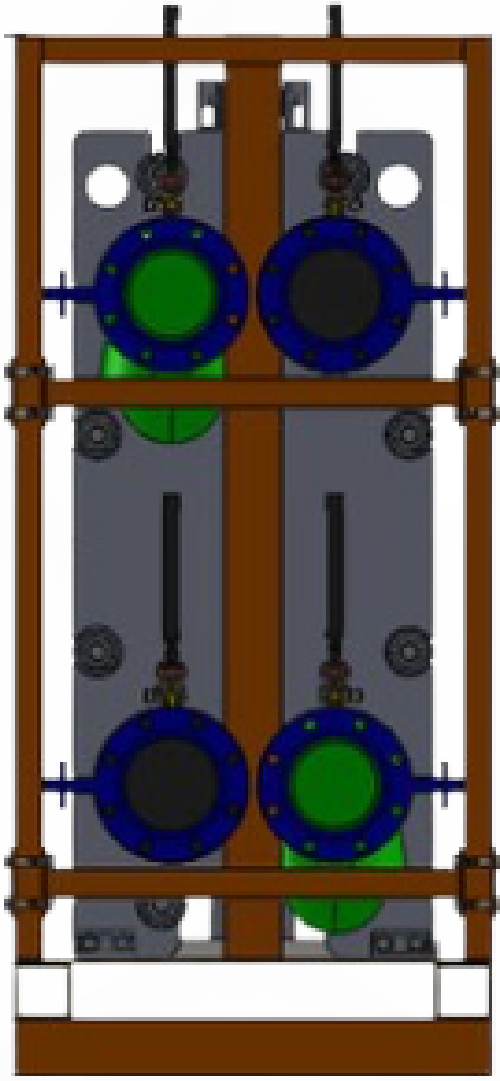
TRUMPET GAUGE FOR PRESSURE READING ON INLET OF STRAINER, INLET OF HX, AND OUTLET OF HX (TYP FOR EACH SIDE, SEE PID)

ITEM NO.	COMPONENT	QTY.
1	PLATE & FRAME HEAT EXCHANGER	1
2	DRAIN PAN	1
3	STRAINER	2
4	FLOW METERING DEVICE	2
5	ISOLATION VALVE	4

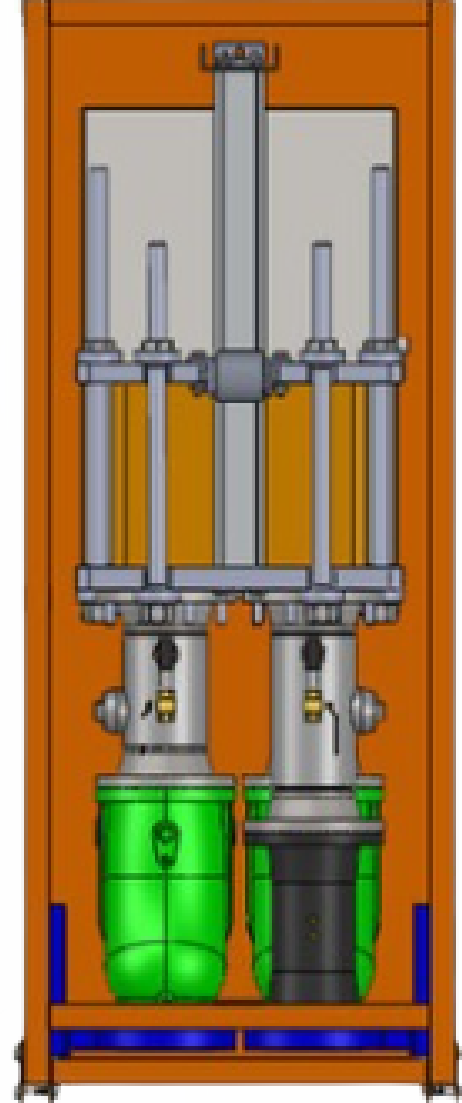
Water-to-Water Heat Transfer Package #1



FRONT VIEW



SIDE VIEW



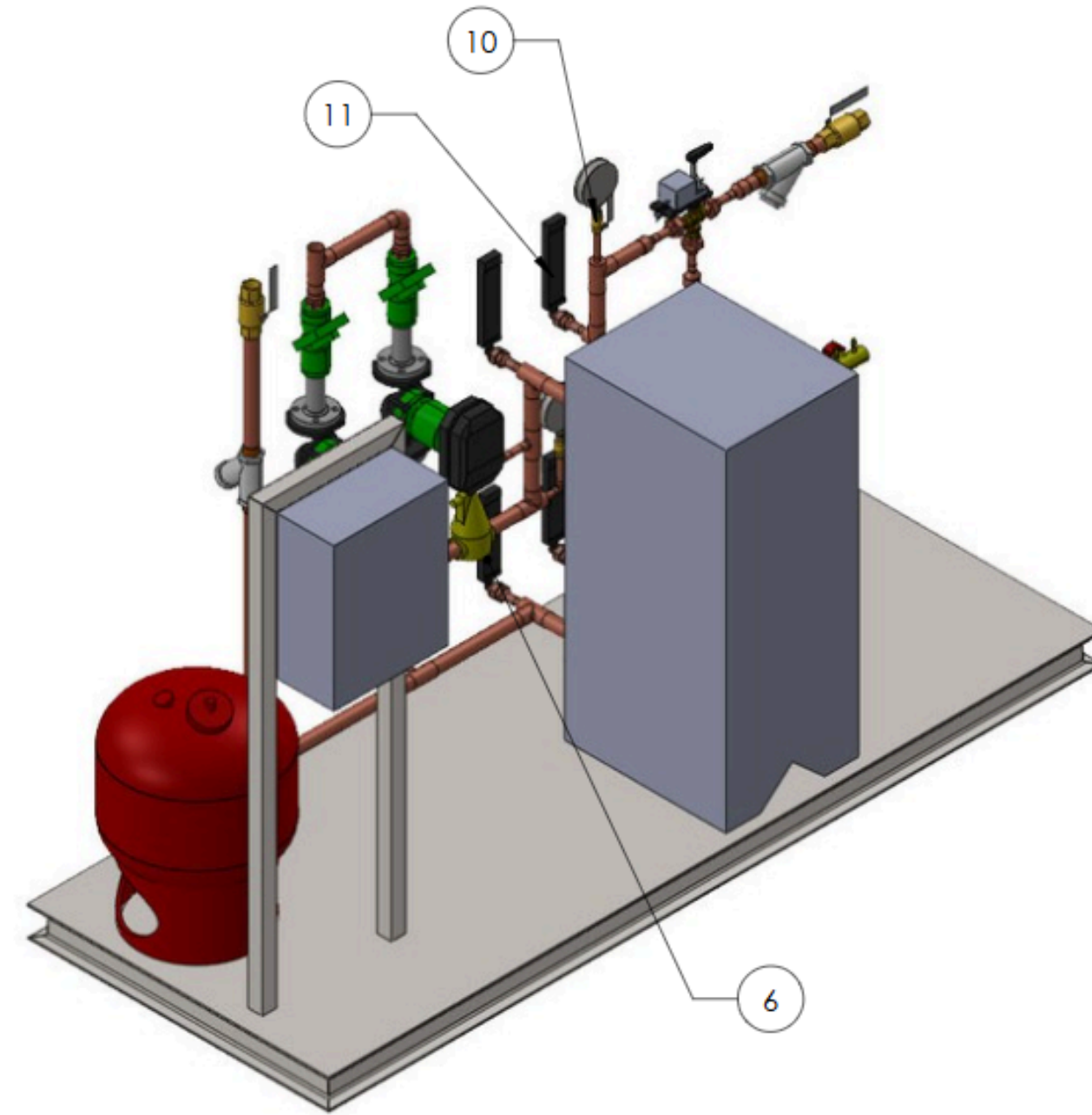
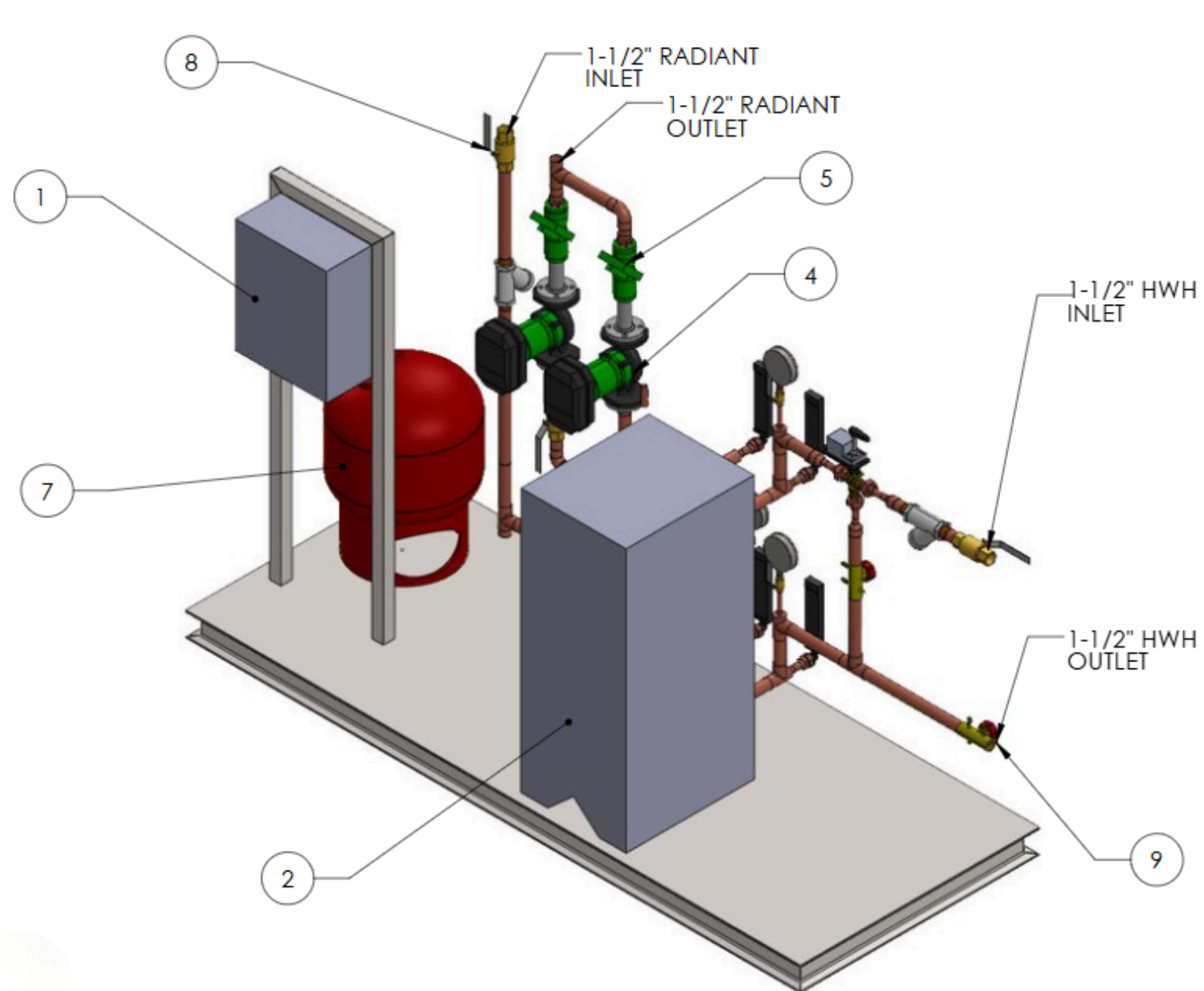
TOP VIEW



Sample Water-to-Water Heat Transfer Package

Example documentation for reference only.
Final drawings are project specific.

Water-to-Water Heat Transfer Package #2

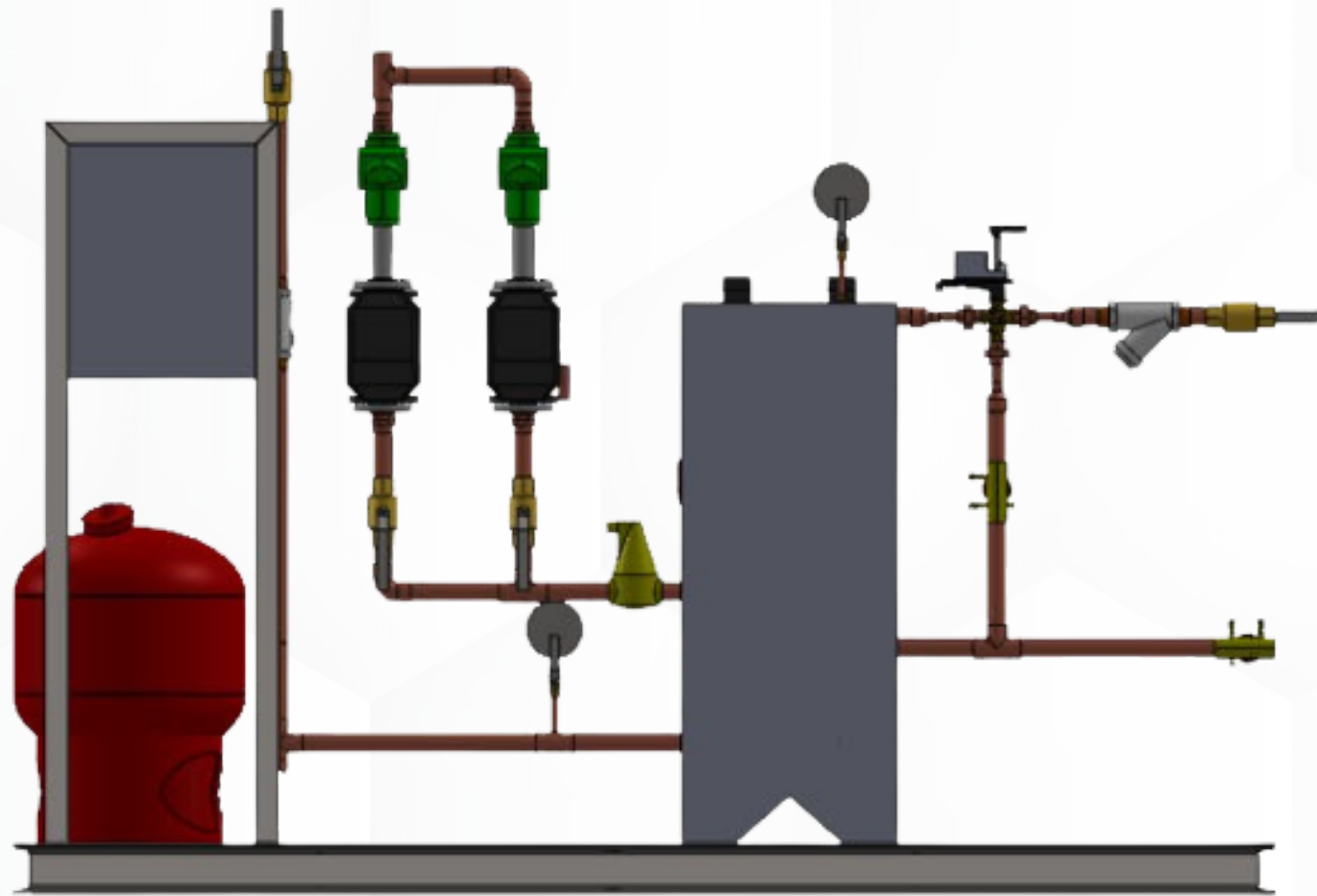


Water-to-Water Heat Transfer Package #2

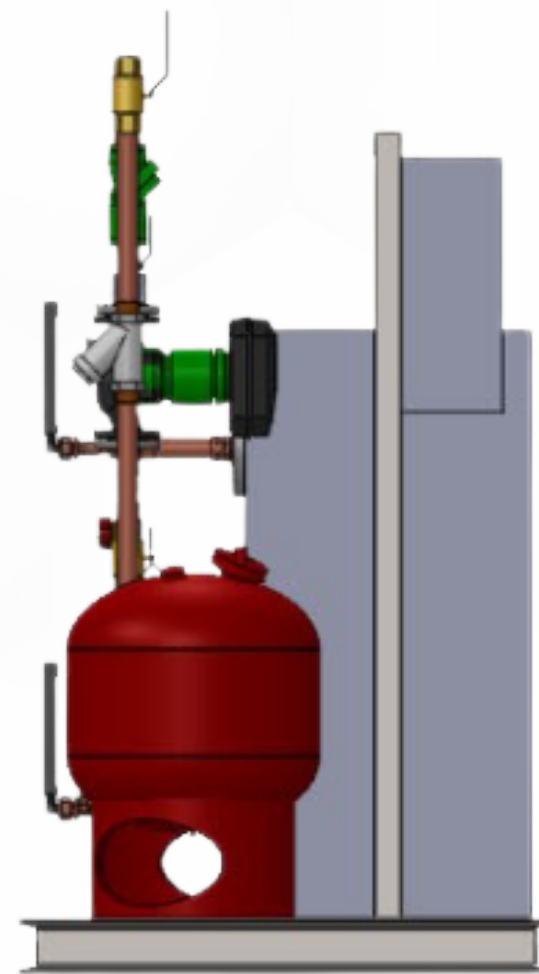


ITEM NO.	COMPONENT	QTY.
1	CONTROL PANEL	1
2	PLATE & FRAME HEAT EXCHANGER	1
3	CONTROL VALVE	1
4	PUMP	2
5	MULTI-PURPOSE VALVE	2
6	AIR SEPARATOR	1
7	EXPANSION TANK	1
8	ISOLATION VALVE	4
9	BALANCE VALVE	2
10	GAUGE-PRESSURE	2
11	THERMOMETER	4

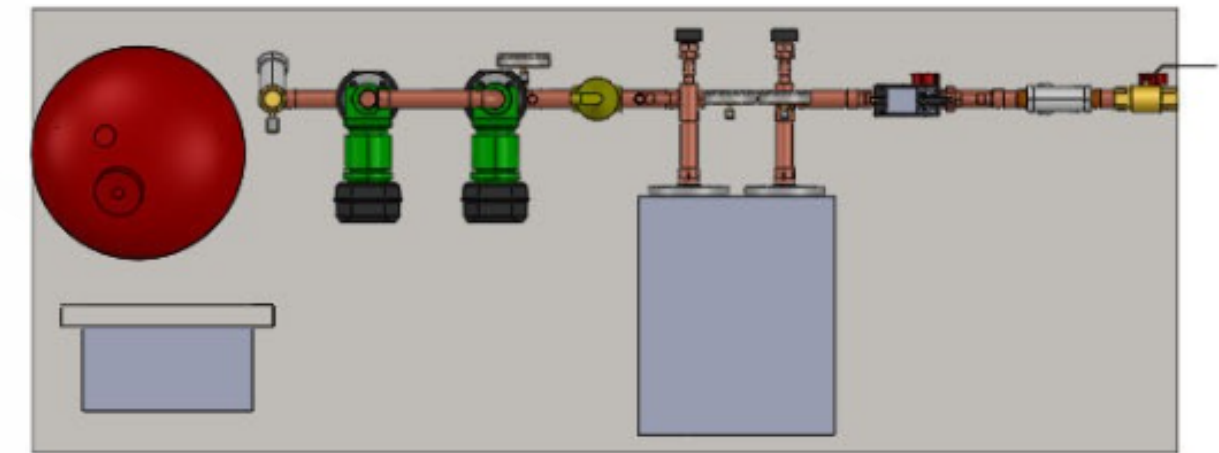
Water-to-Water Heat Transfer Package #2



FRONT VIEW



SIDE VIEW



TOP VIEW



Example documentation for reference only.
Final drawings are project specific.

To get more information and started with a
quote contact a rep.

[CONTACT A REP](#)