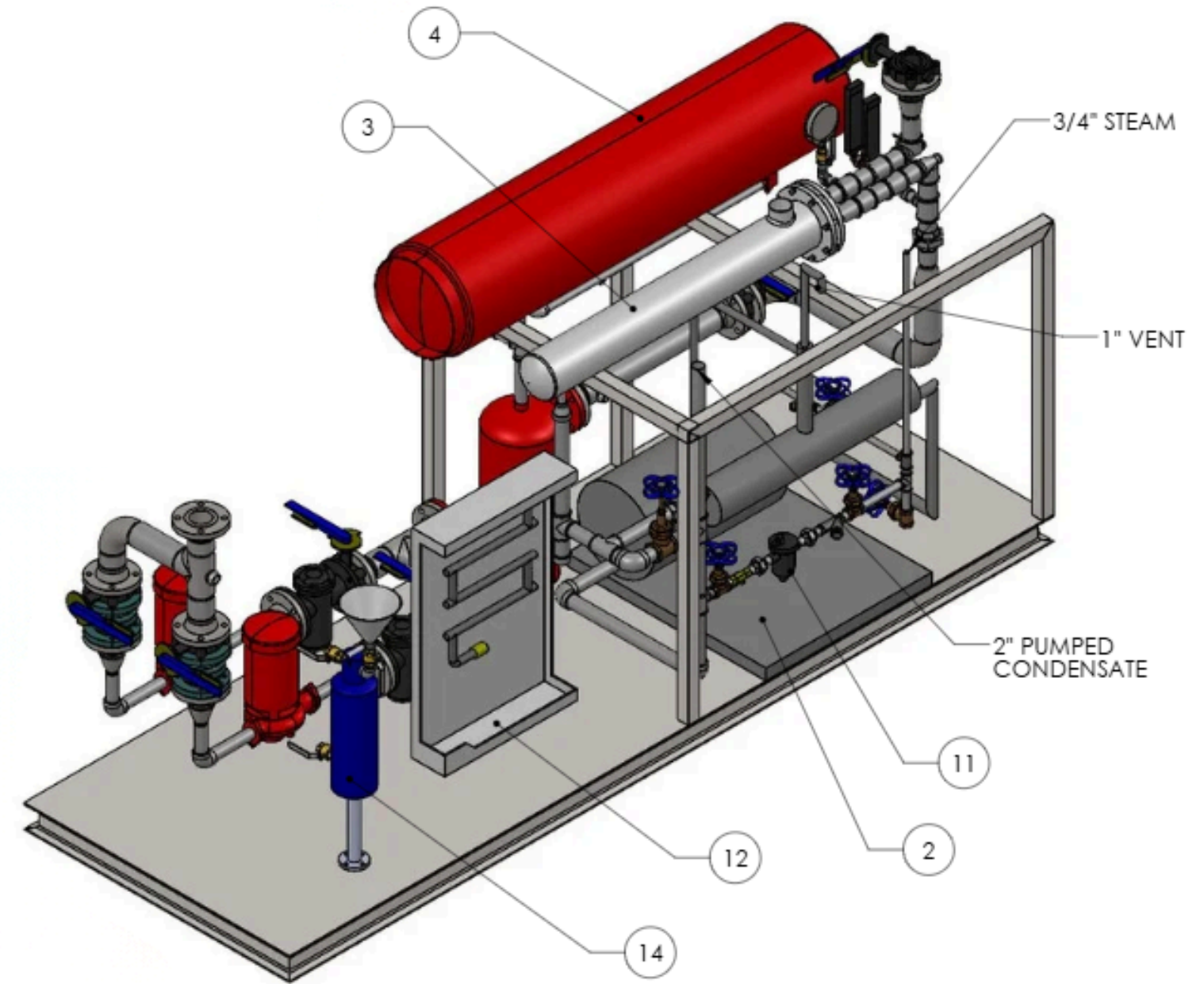
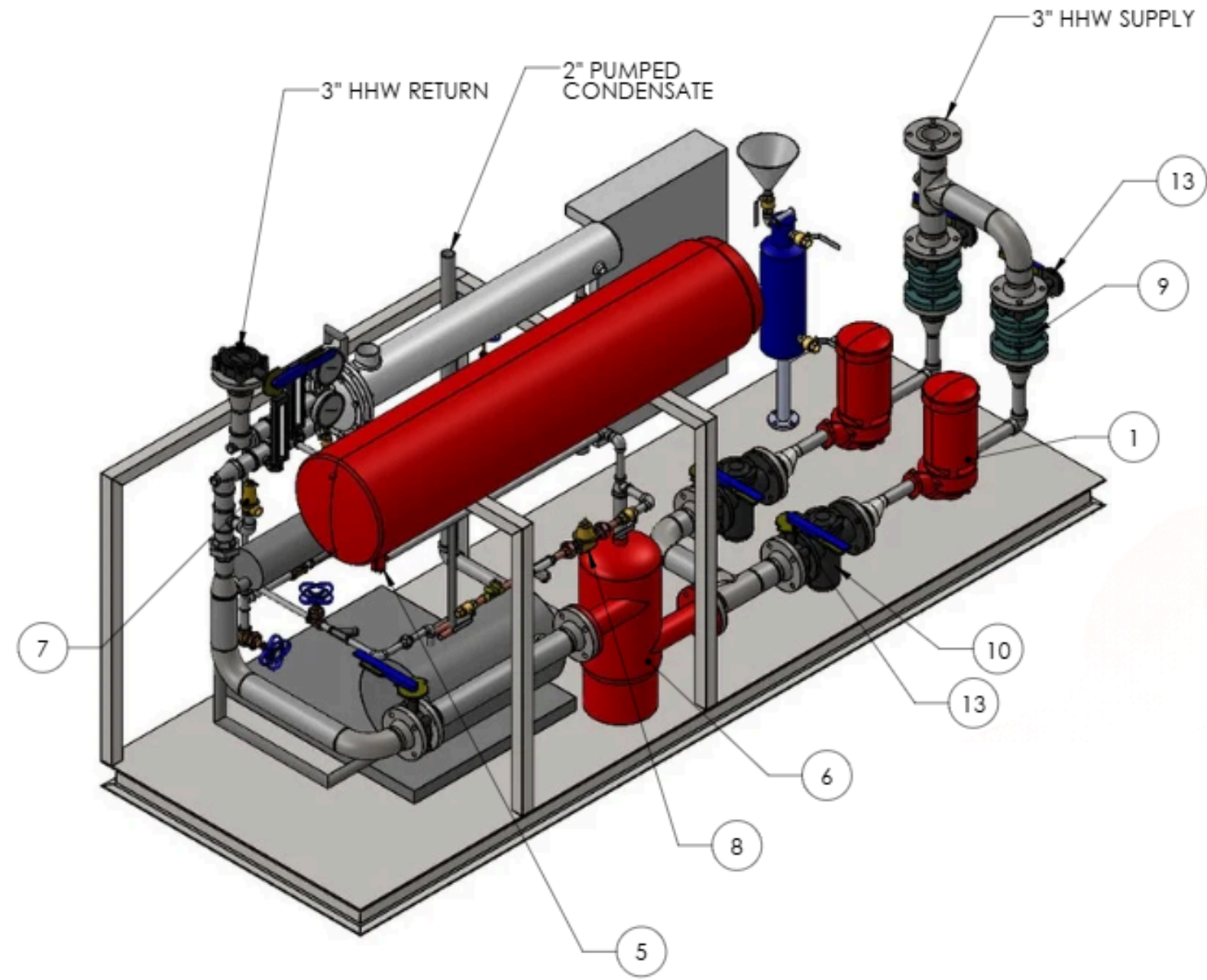




Sample Steam-to-Hot-Water Package

Example documentation for reference only.
Final drawings are project specific.

Steam-to-Hot-Water Package #1

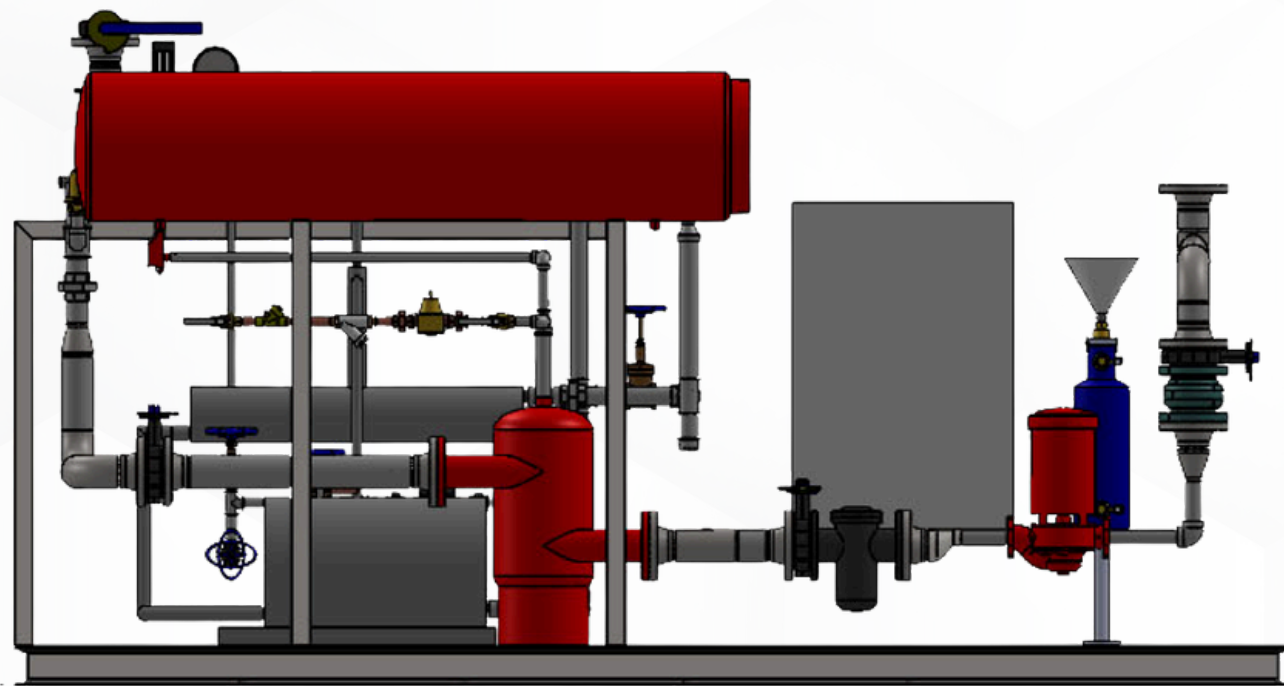


Steam-to-Hot-Water Package #1

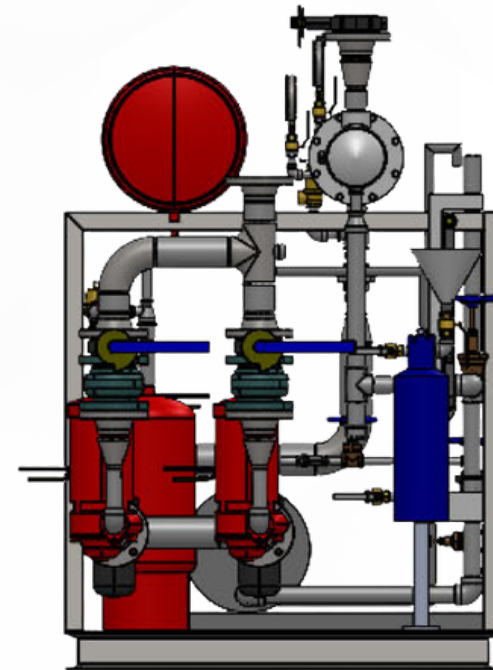


ITEM NO.	COMPONENT	QTY.
1	INLINE PUMP	2
2	PRESSURE POWERED CONDENSATE TRAP	1
3	HEAT EXCHANGER	1
4	COMPRESSION TANK	1
6	ROLAIRTROL AIR SEPARATOR	2
7	SAFETY RELIEF VALVE	1
8	PRESSURE REDUCING VALVE	1
9	CHECK VALVE	2
10	BASKET STRAINER	2
11	BUCKET STREAM TRAP	1
12	CORROSION COUPON RACK	1
13	ISOLATION VALVE	6
14	SHOT FEEDER	1

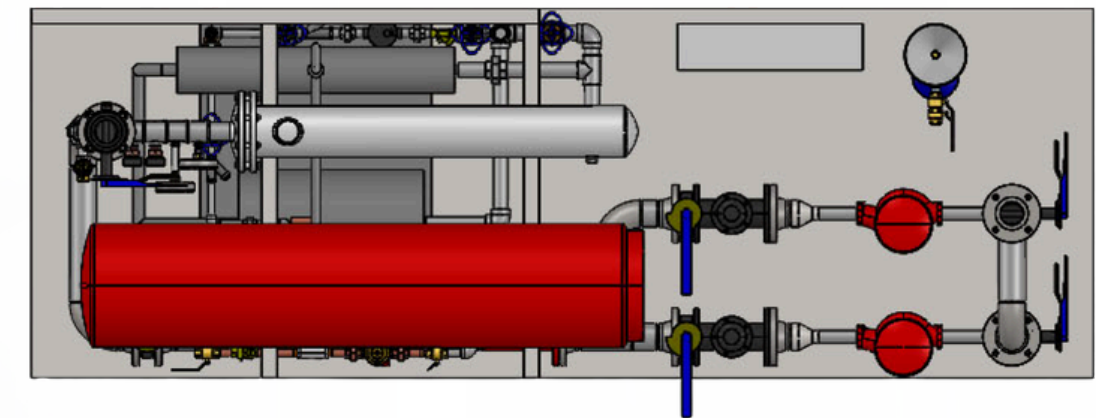
Steam-to-Hot-Water Package #1



FRONT VIEW



SIDE VIEW



TOP VIEW



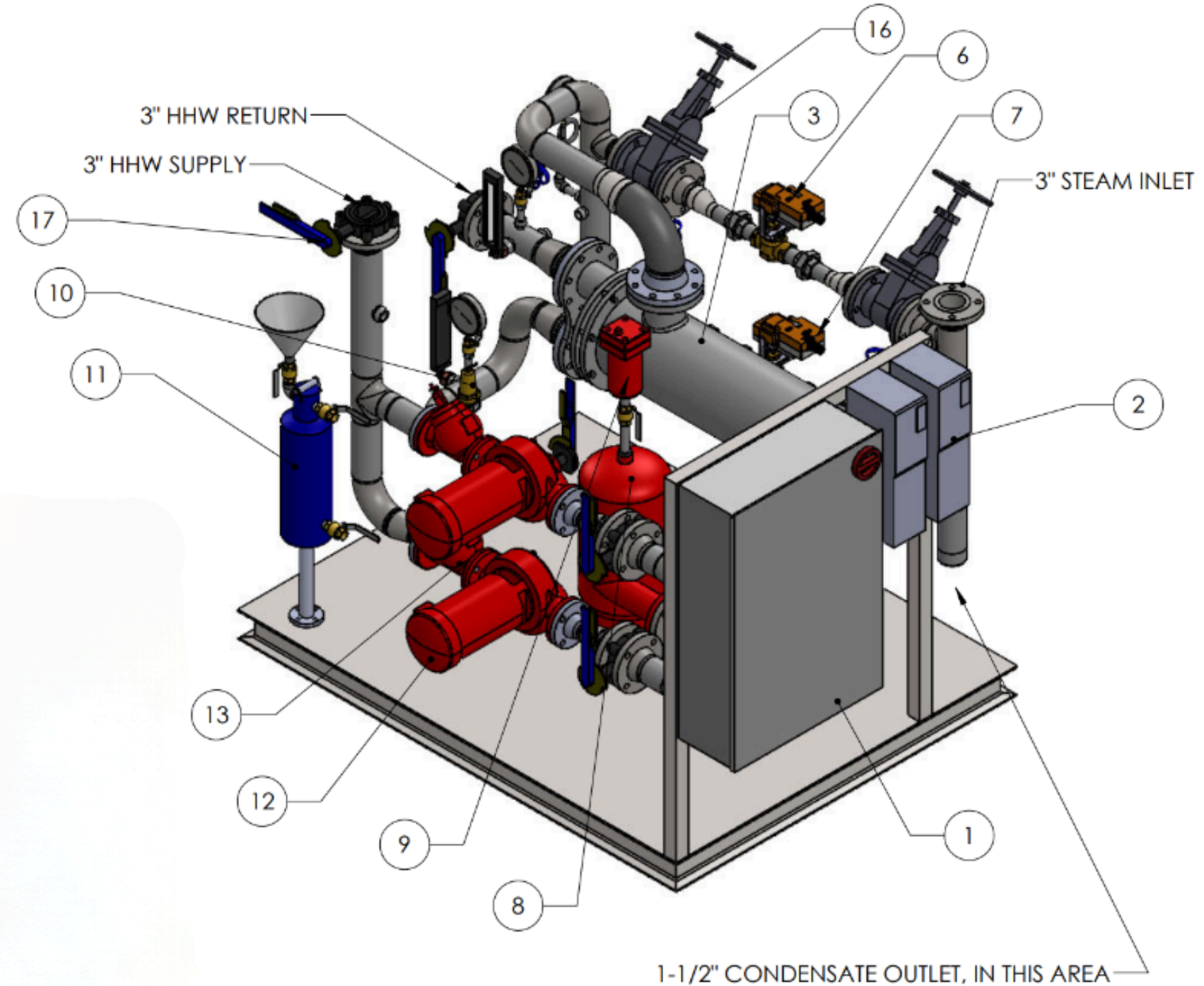
Sample Steam-to-Hot-Water Package

Example documentation for reference only.
Final drawings are project specific.

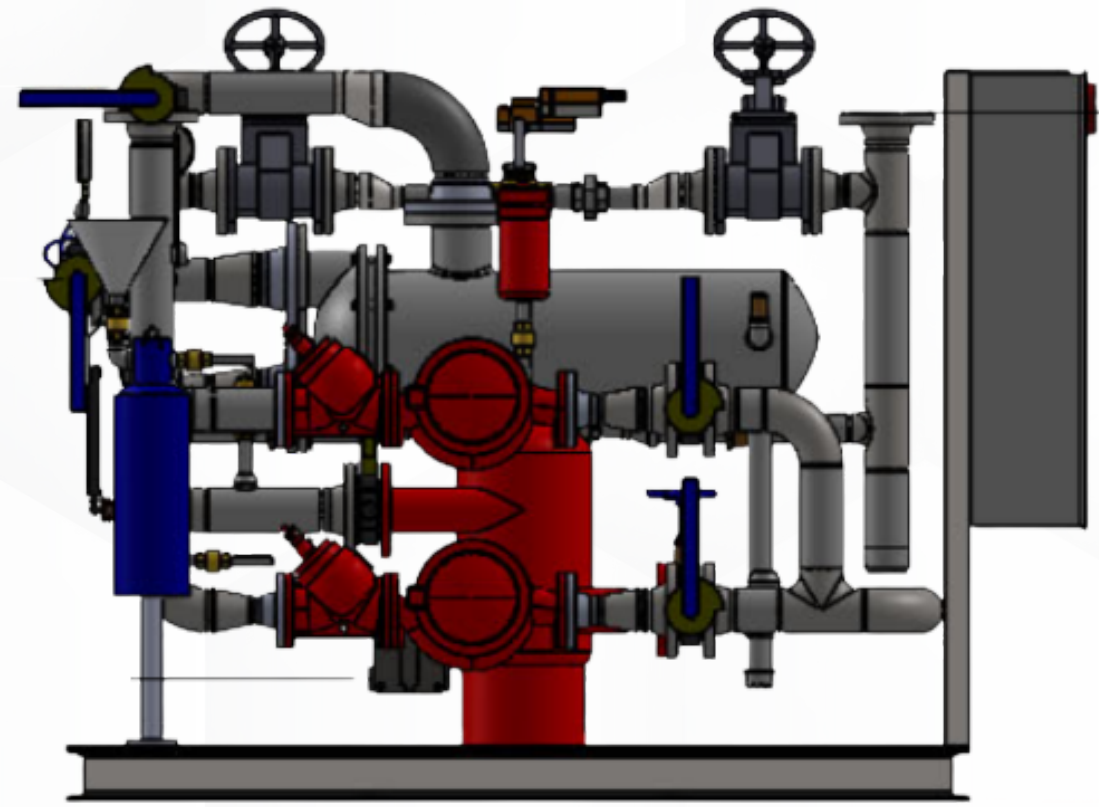
Steam-to-Hot-Water Package #2



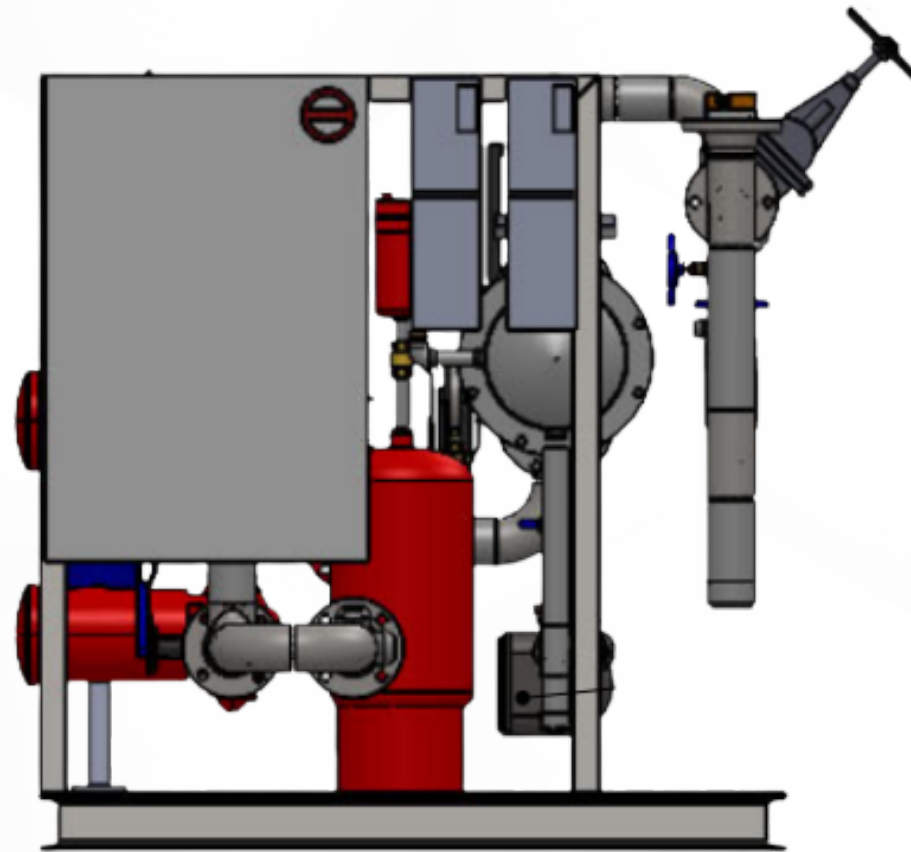
ITEM NO.	COMPONENT	QTY.
1	CONTROL PANEL	1
2	VARIABLE SPEED DRIVE	2
3	HEAT EXCHANGER	1
4	VACUUM BREAKER	1
5	F&T STEAM TRAP	1
6	CONTROL VALVE	1
7	CONTROL VALVE	1
8	AIR SEPARATOR	1
9	AIR VENT	1
10	RELIEF VALVE	1
11	SHOT FEEDER	1
12	PUMP	2
13	ISOLATION VALVE	2
14	ISOLATION VALVE	1
15	ISOLATION VALVE	2
16	ISOLATION VALVE	2
17	ISOLATION VALVE	5



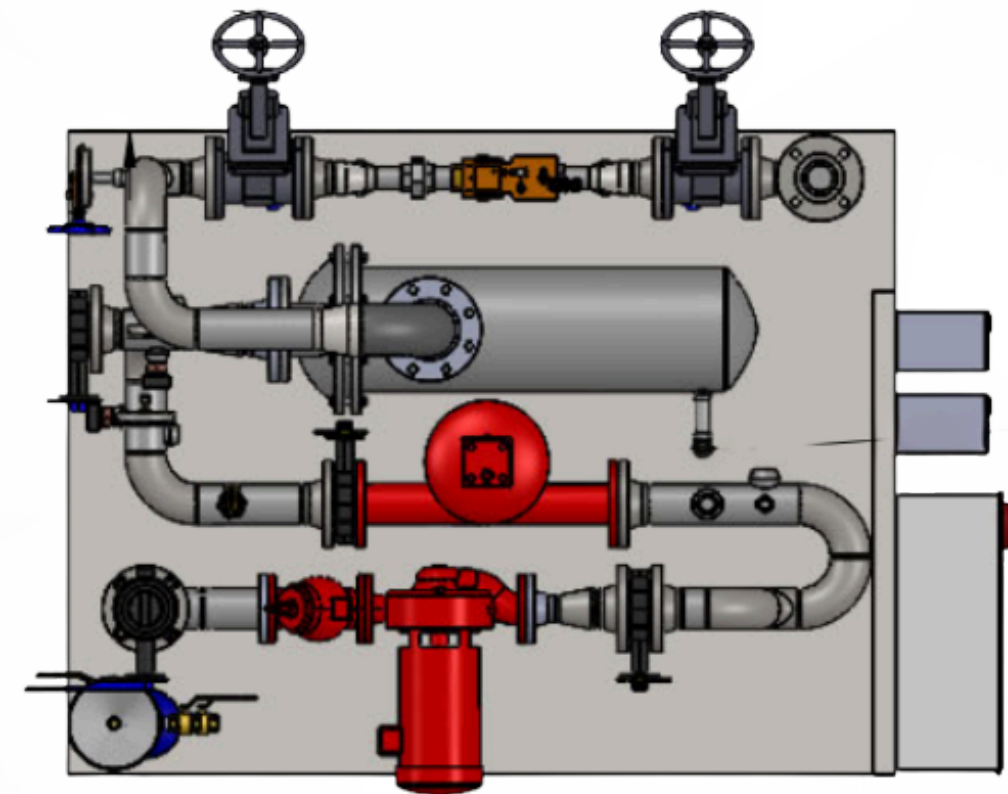
Steam-to-Hot-Water Package #2



FRONT VIEW



SIDE VIEW



TOP VIEW



Example documentation for reference only.
Final drawings are project specific.

To get more information and started with a
quote contact a rep.

[CONTACT A REP](#)