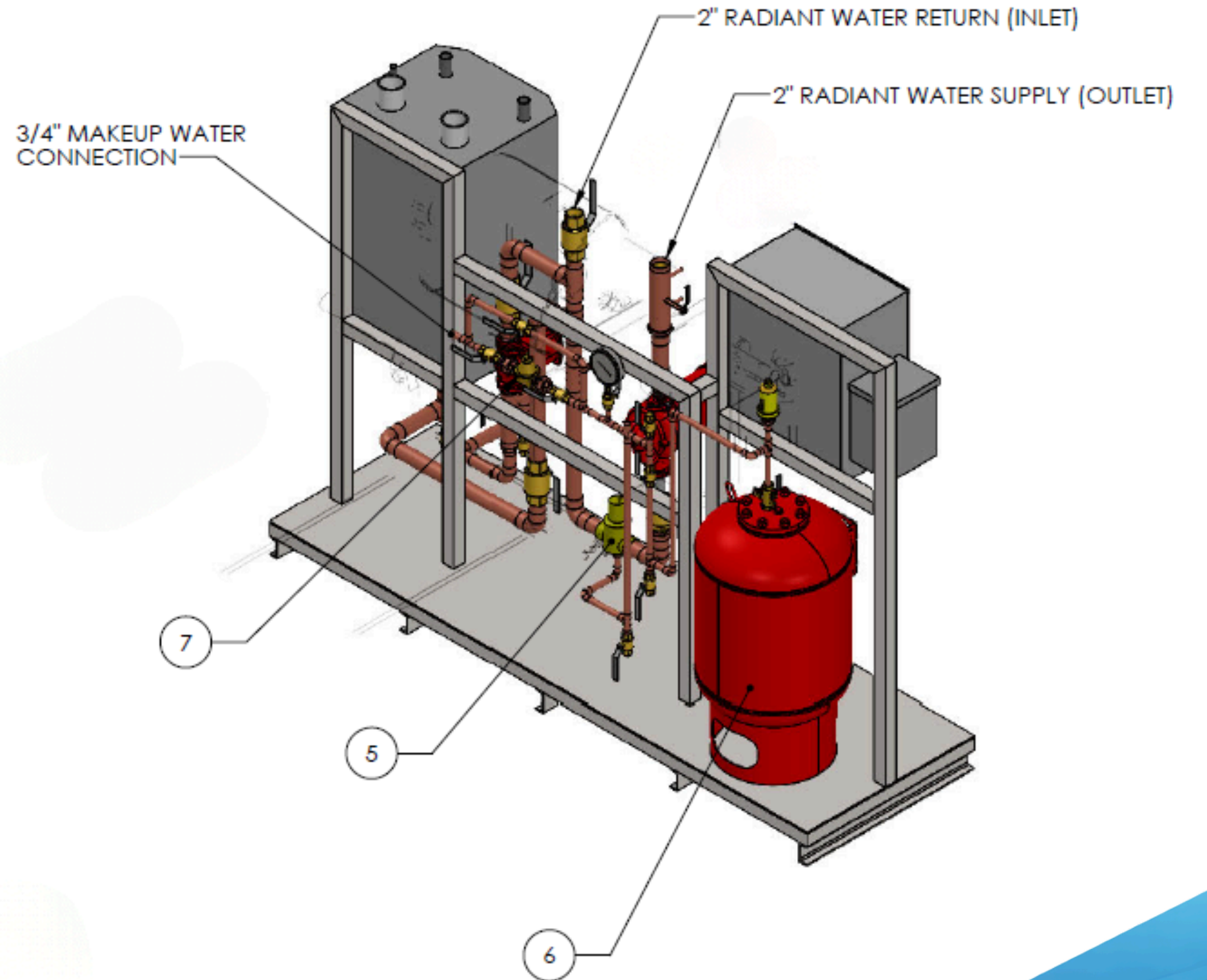
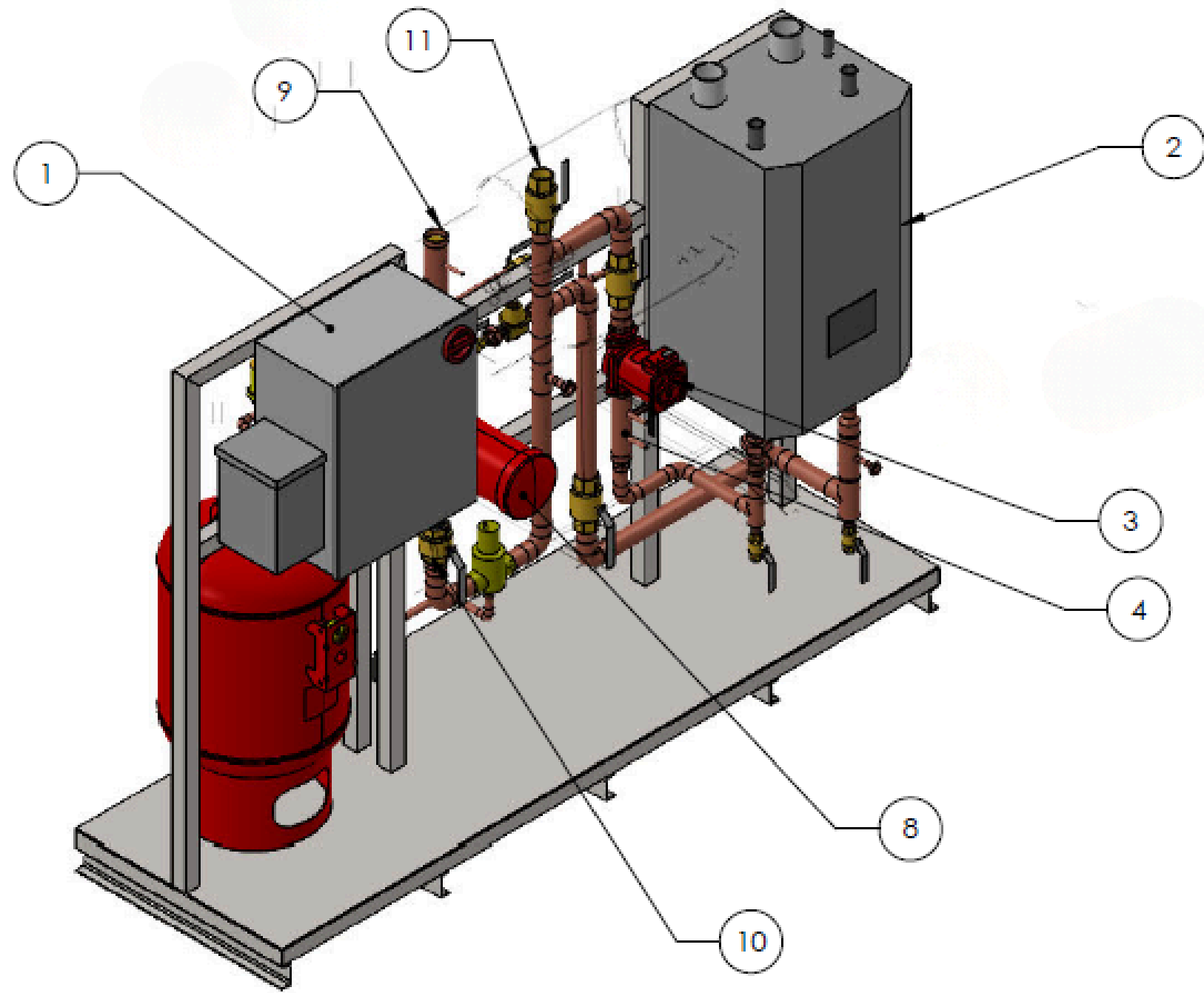




Sample Hydronic Boiler Package

Example documentation for reference only.
Final drawings are project specific.

Hydronic Boiler Package #1

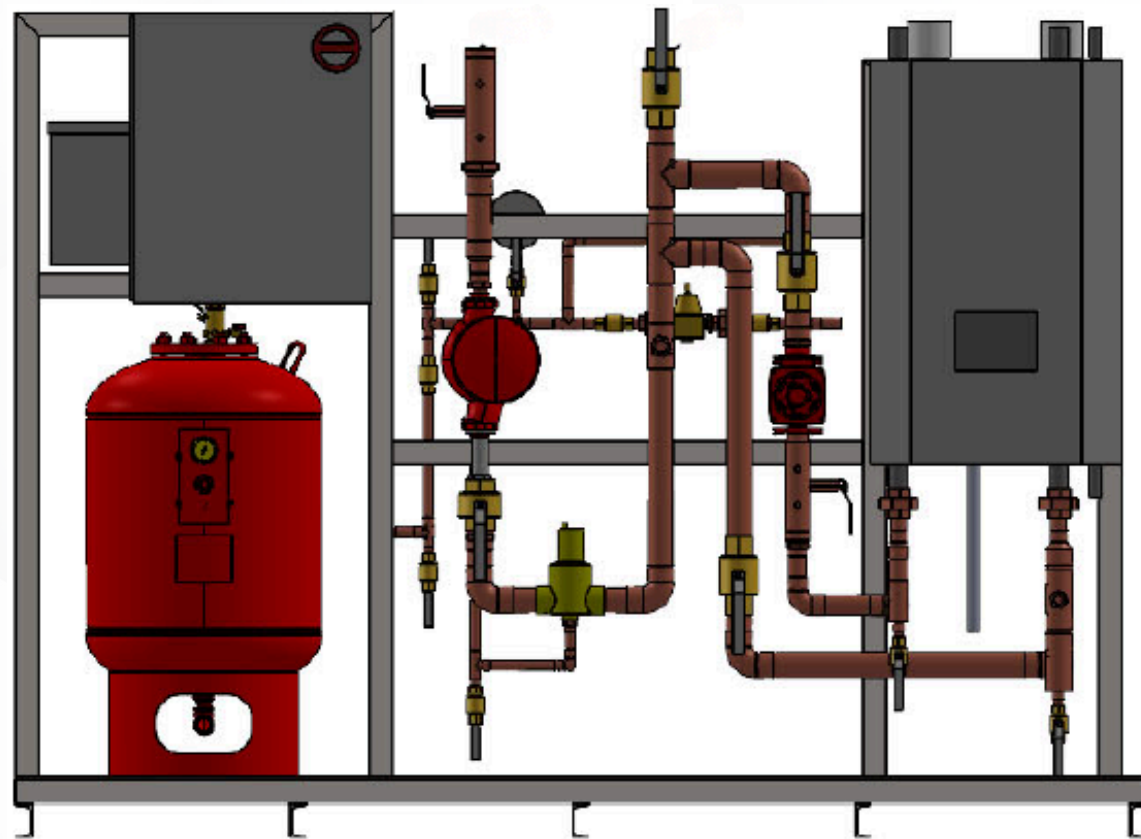


Hydronic Boiler Package #1

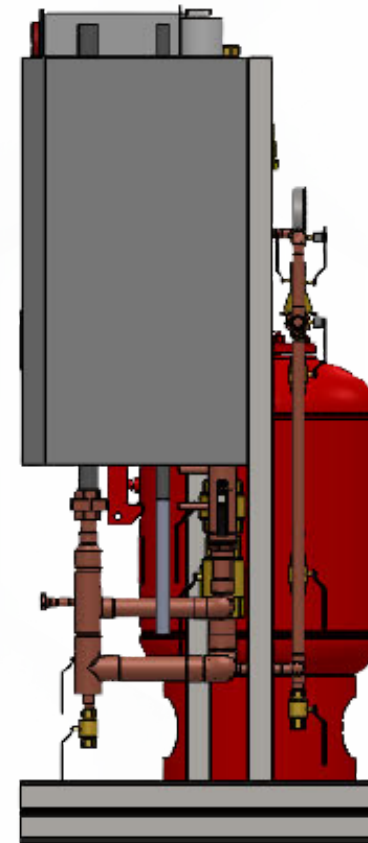


ITEM NO.	COMPONENT	QTY.
1	CONTROL PANEL	1
2	BOILER	1
3	PUMP	1
4	ISOLATION VALVE	1
5	AIR SEPARATOR	1
6	EXPANSION TANK	1
7	PRESSURE REDUCING VALVE	1
8	PUMP	1
9	ISOLATION VALVE	1
10	ISOLATION VALVE	1
11	ISOLATION VALVE	3

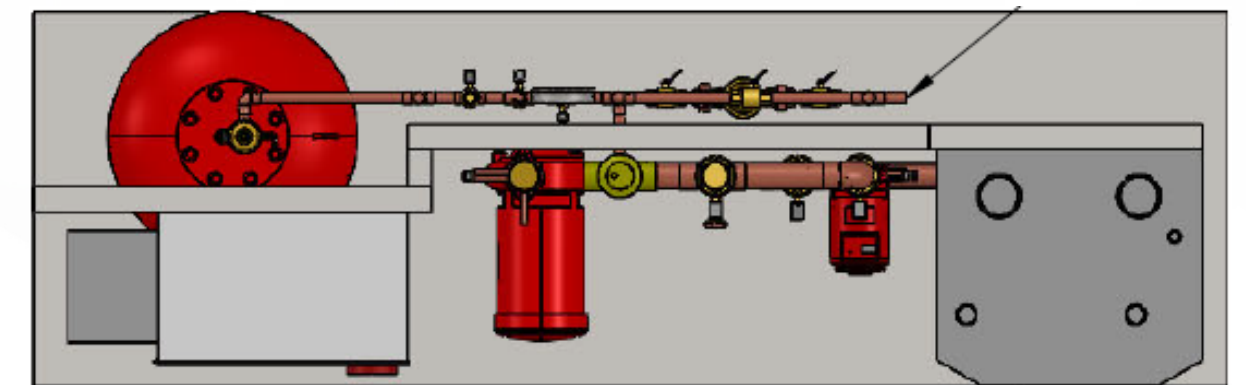
Hydronic Boiler Package #1



FRONT VIEW



SIDE VIEW



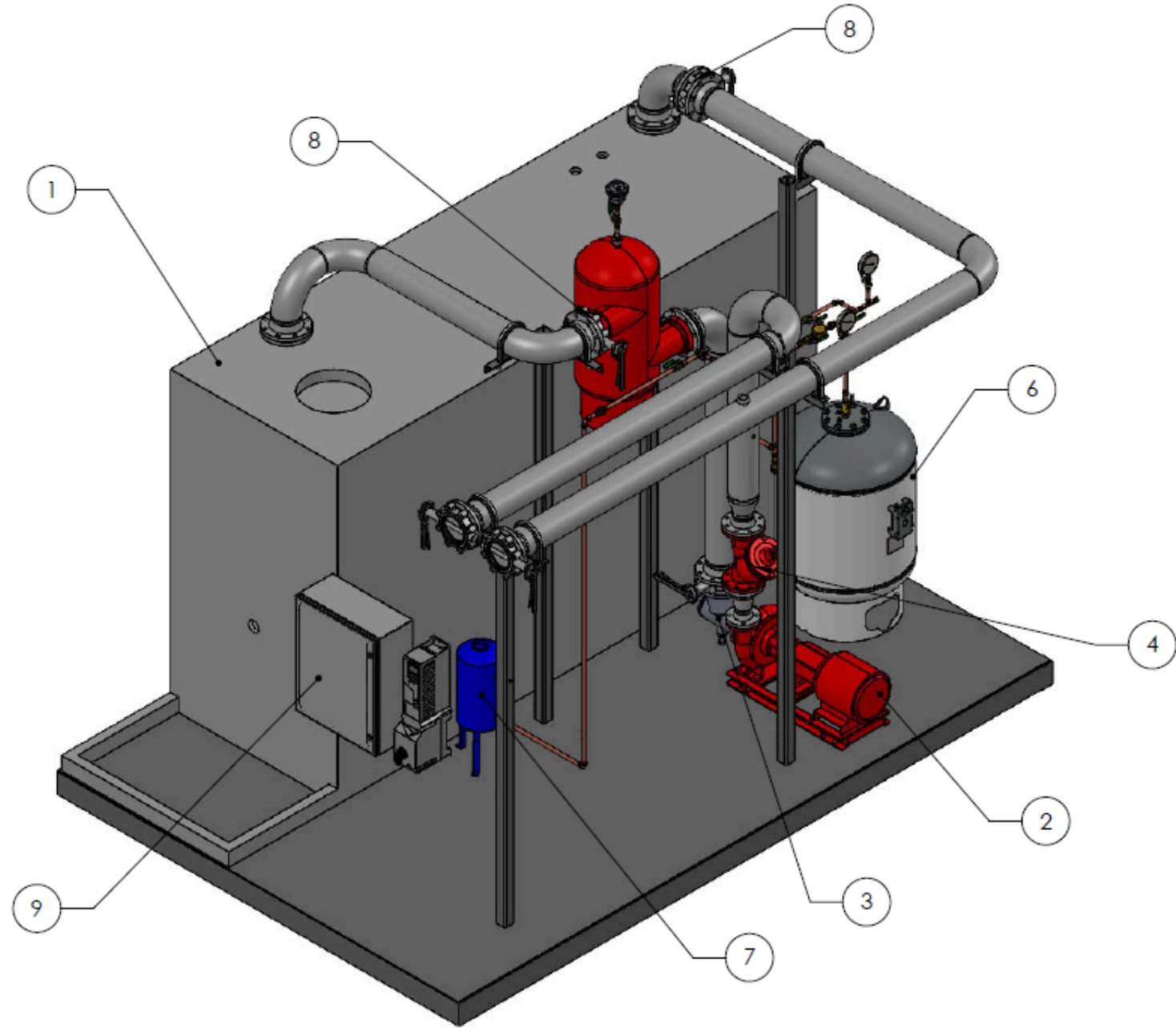
TOP VIEW



Sample Hydronic Boiler Package

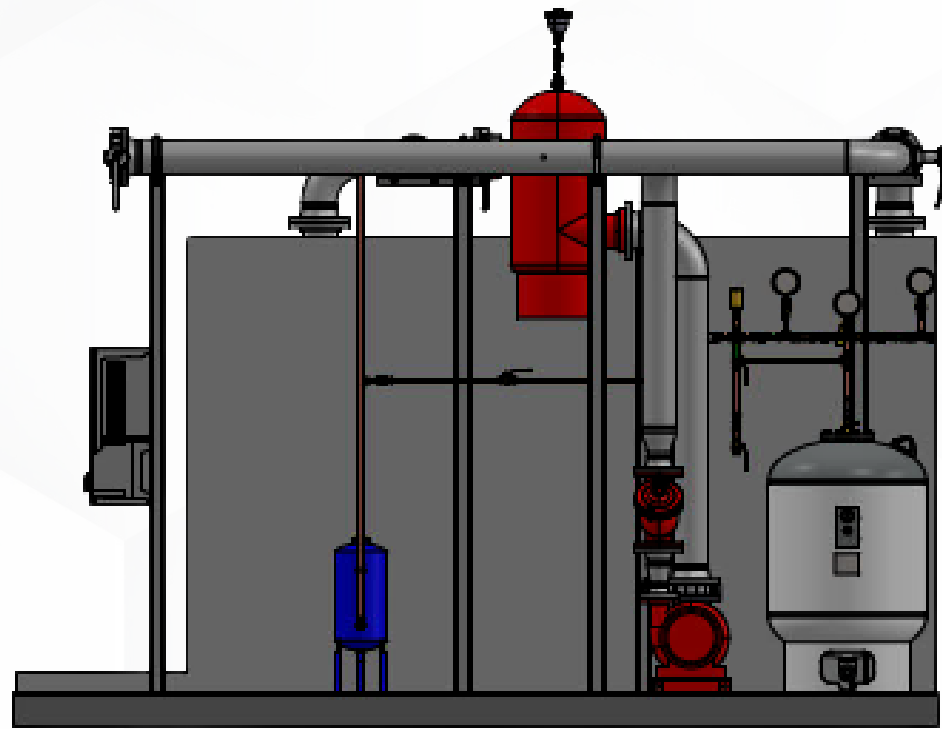
Example documentation for reference only.
Final drawings are project specific.

Hydronic Boiler Package #2

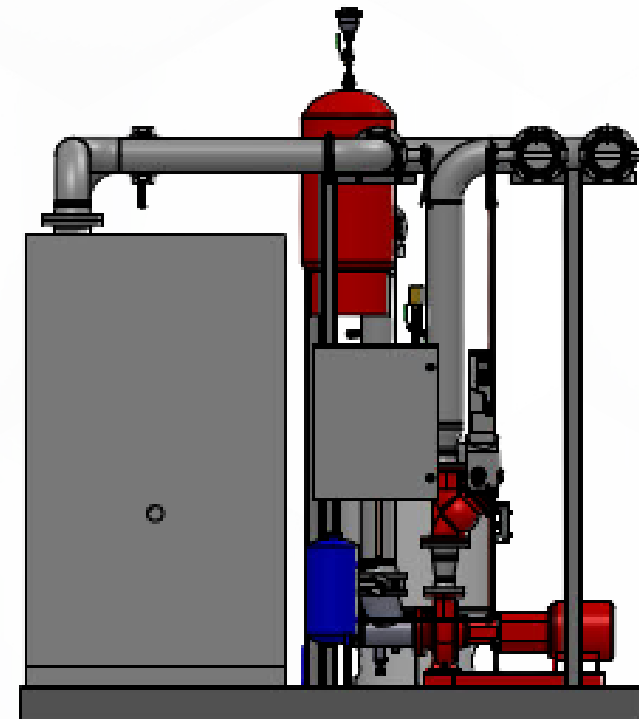


ITEM NO.	COMPONENT	QTY.
1	BOILER	1
2	PUMP	1
3	SUCTION DIFFUSER	1
4	TRIPLE DUTY FLANGED	1
5	AIR SEPARATOR	1
6	EXPANSION TANK	1
7	CHEMICAL SHOT FEEDER	1
8	ISOLATION VALVE	5
9	CONTROL PANEL	1

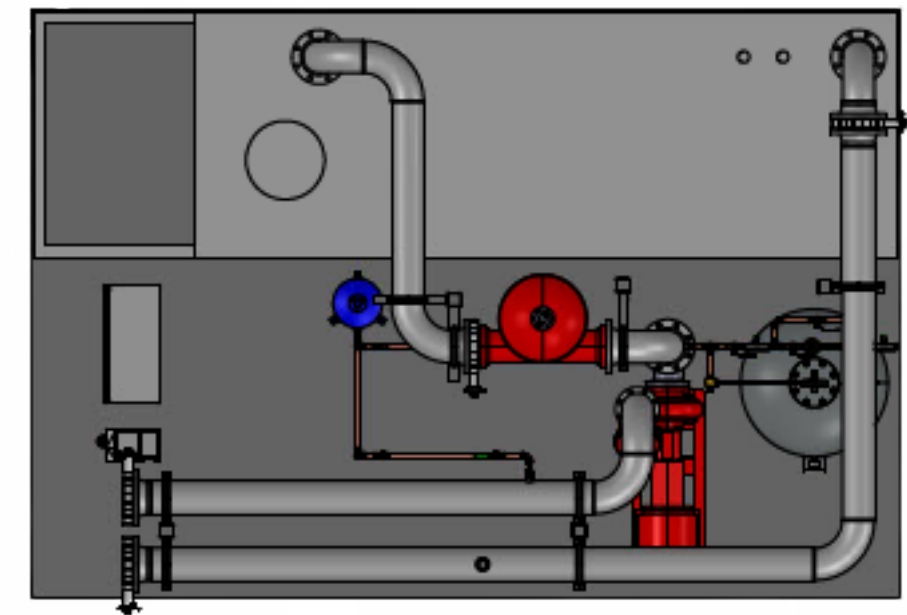
Hydronic Boiler Package #2



FRONT VIEW



SIDE VIEW



TOP VIEW



Example documentation for reference only.
Final drawings are project specific.

To get more information and started with a
quote contact a rep.

[CONTACT A REP](#)