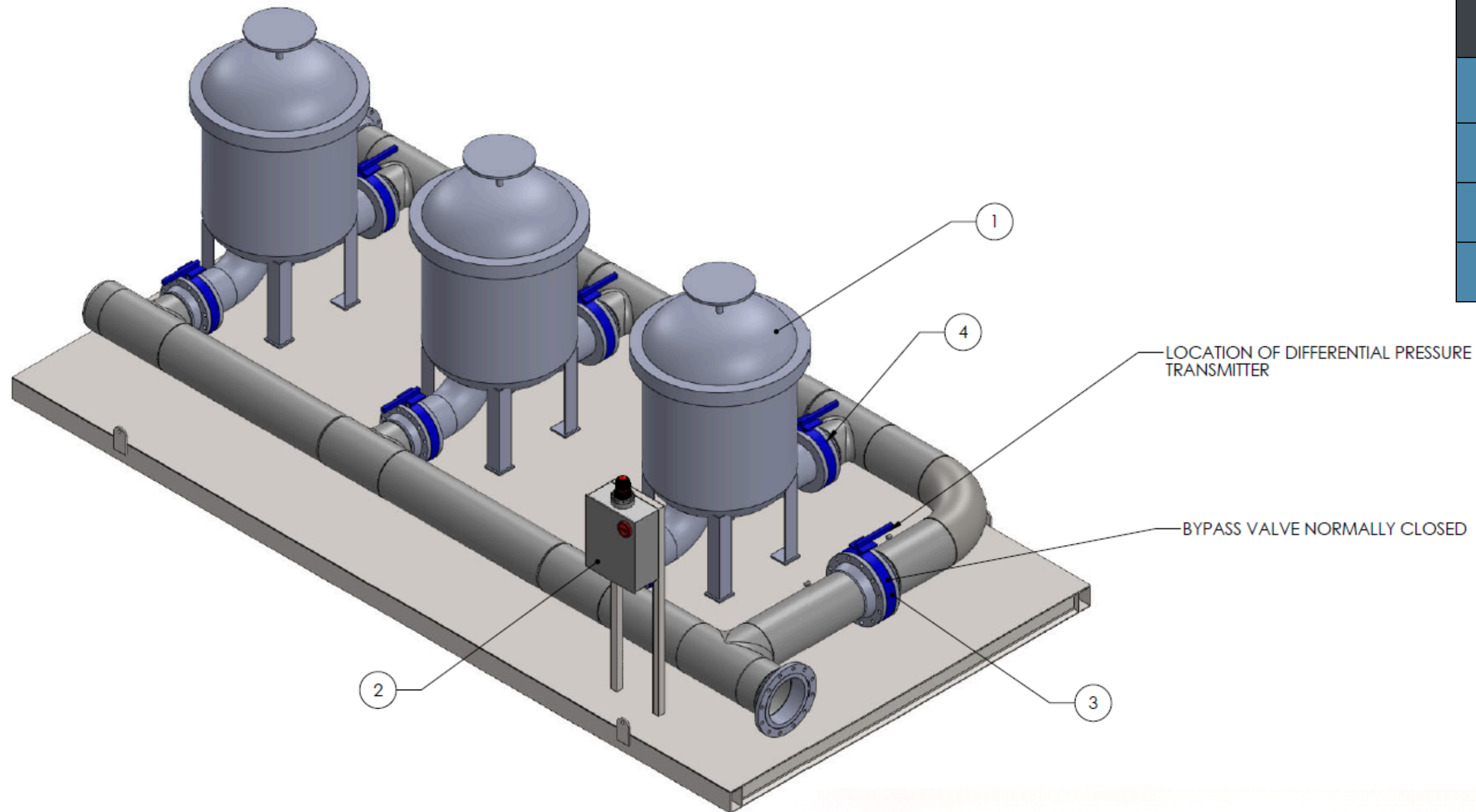




Sample Filtration Package

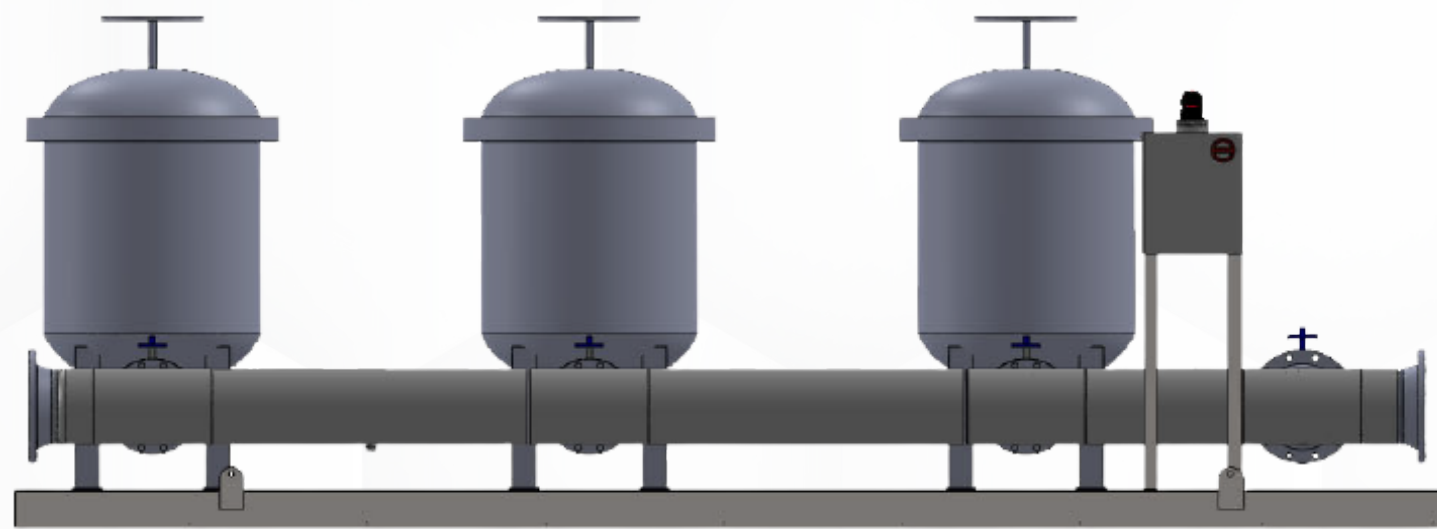
Example documentation for reference only.
Final drawings are project specific.

Filtration Package #1

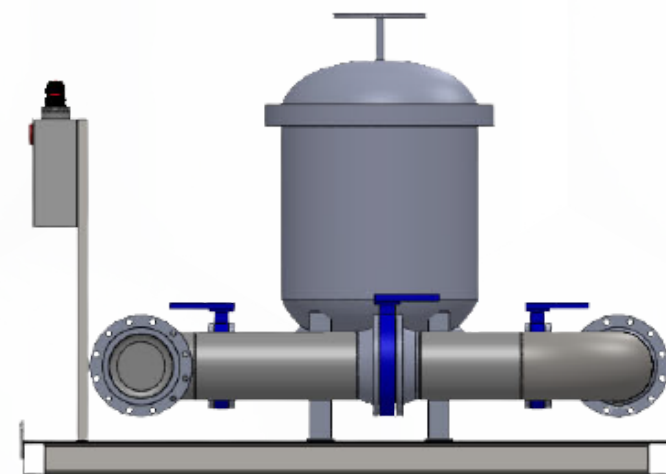


ITEM NO.	COMPONENT	QTY.
1	FILTER HOUSING	3
2	CONTROL PANEL	1
3	ISOLATION VALVE	1
4	ISOLATION VALVE	6

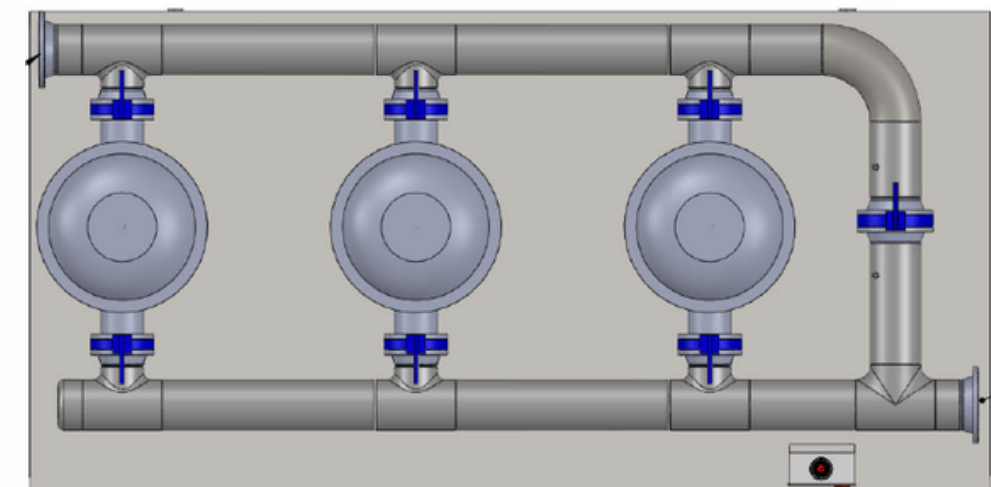
Filtration Package #1



FRONT VIEW



SIDE VIEW



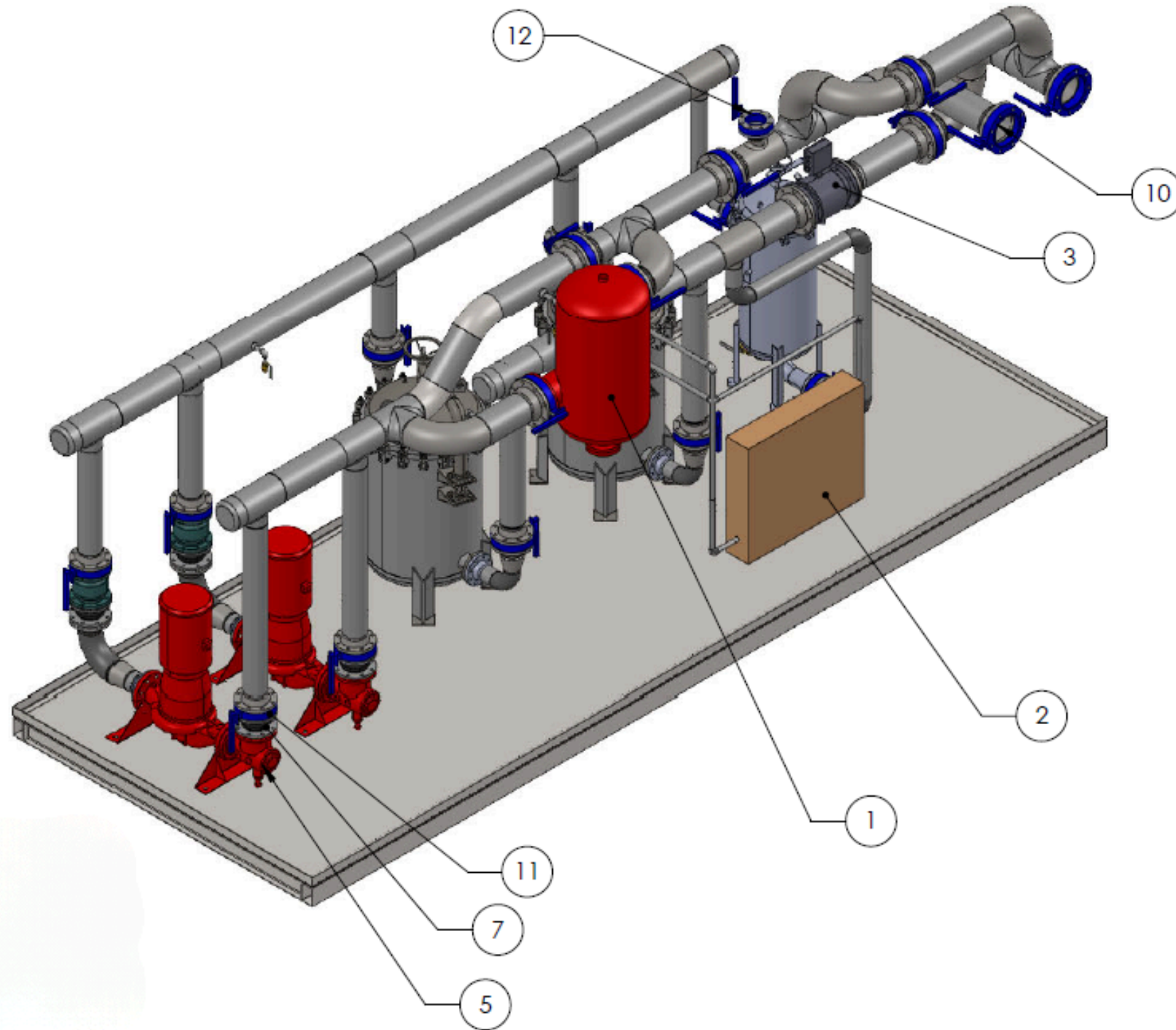
TOP VIEW



Sample Filtration Package

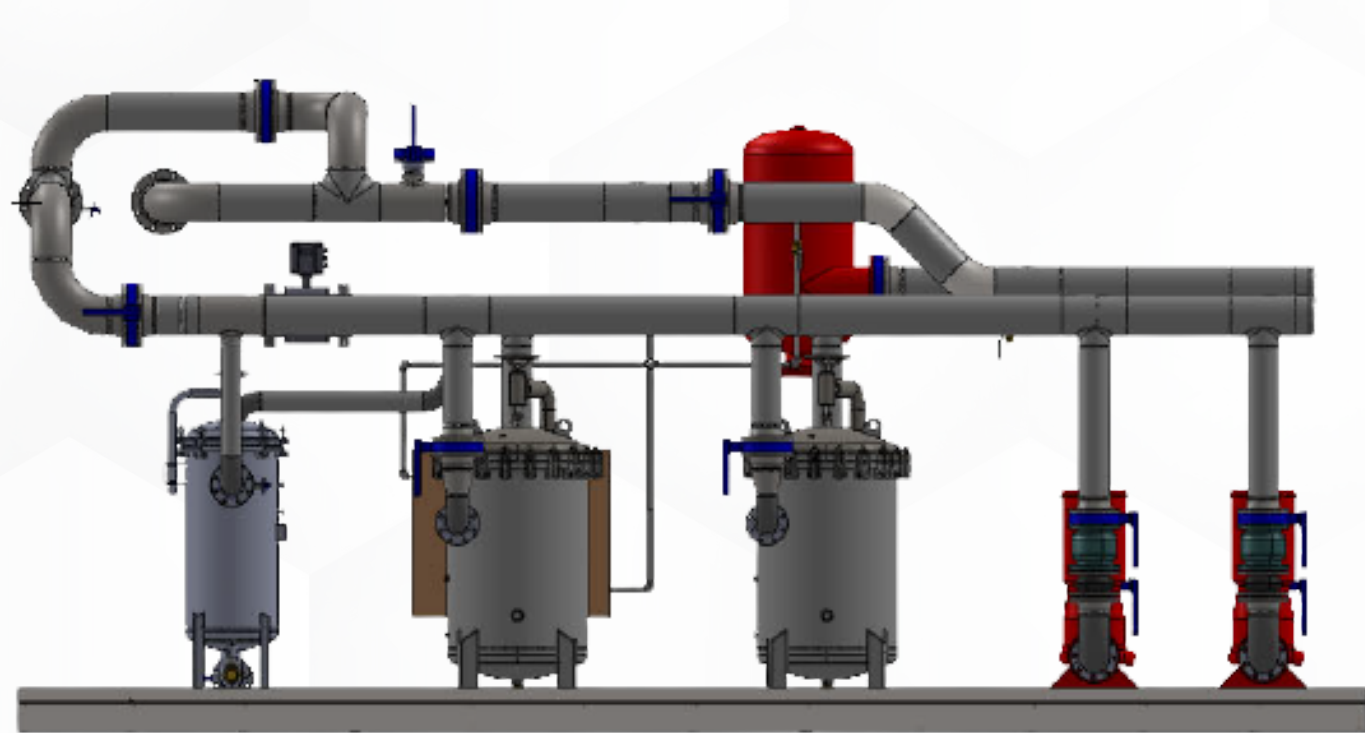
Example documentation for reference only.
Final drawings are project specific.

Filtration Package #2

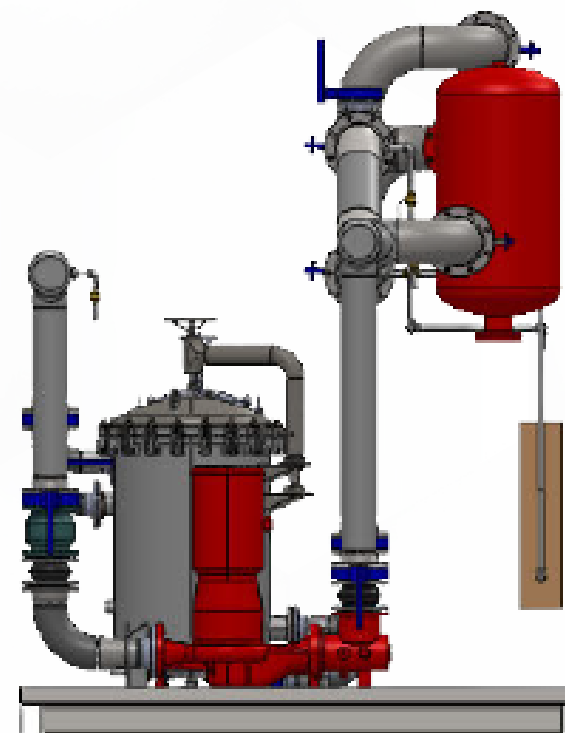


ITEM NO.	COMPONENT	QTY.
1	AIR SEPERATOR	1
2	CORROSION COUPON RACK	1
3	FLOW METER	1
4	PUMP	2
5	SUCTION DIFFUSER	2
6	CHECK VALVE	2
7	FLEXIBLE CONNECTOR	4
8	FILTER HOUSING	2
9	FILTER HOUSING	1
10	ISOLATION VALVE	8
11	ISOLATION VALVE	8
12	ISOLATION VALVE	3

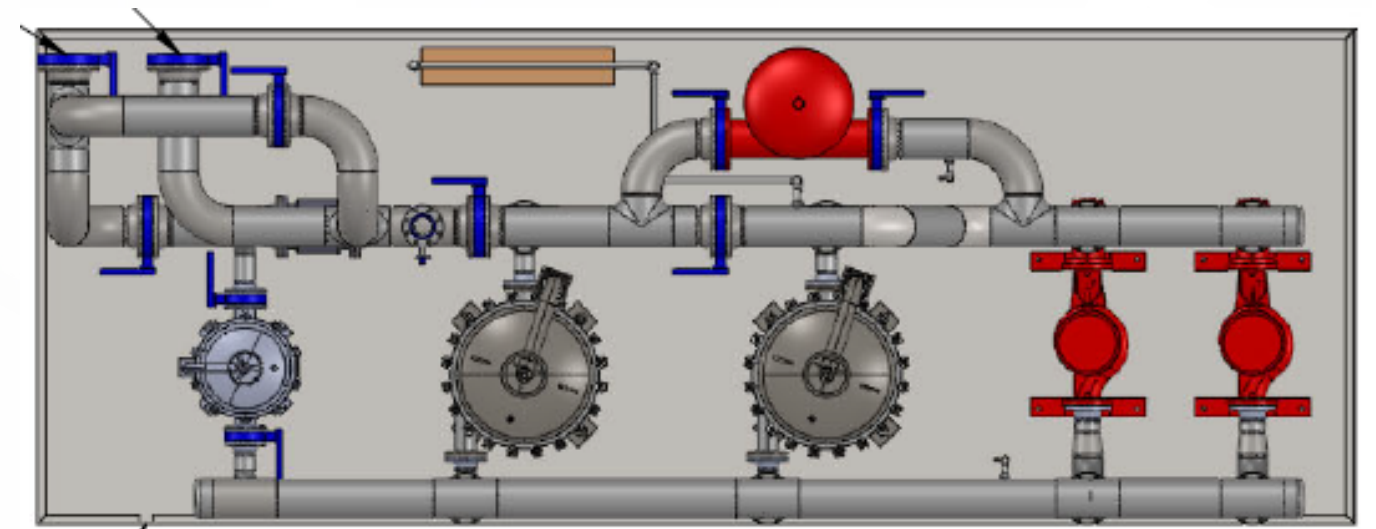
Filtration Package #2



FRONT VIEW



SIDE VIEW



TOP VIEW



Example documentation for reference only.
Final drawings are project specific.

To get more information and started with a
quote contact a rep.

[CONTACT A REP](#)