

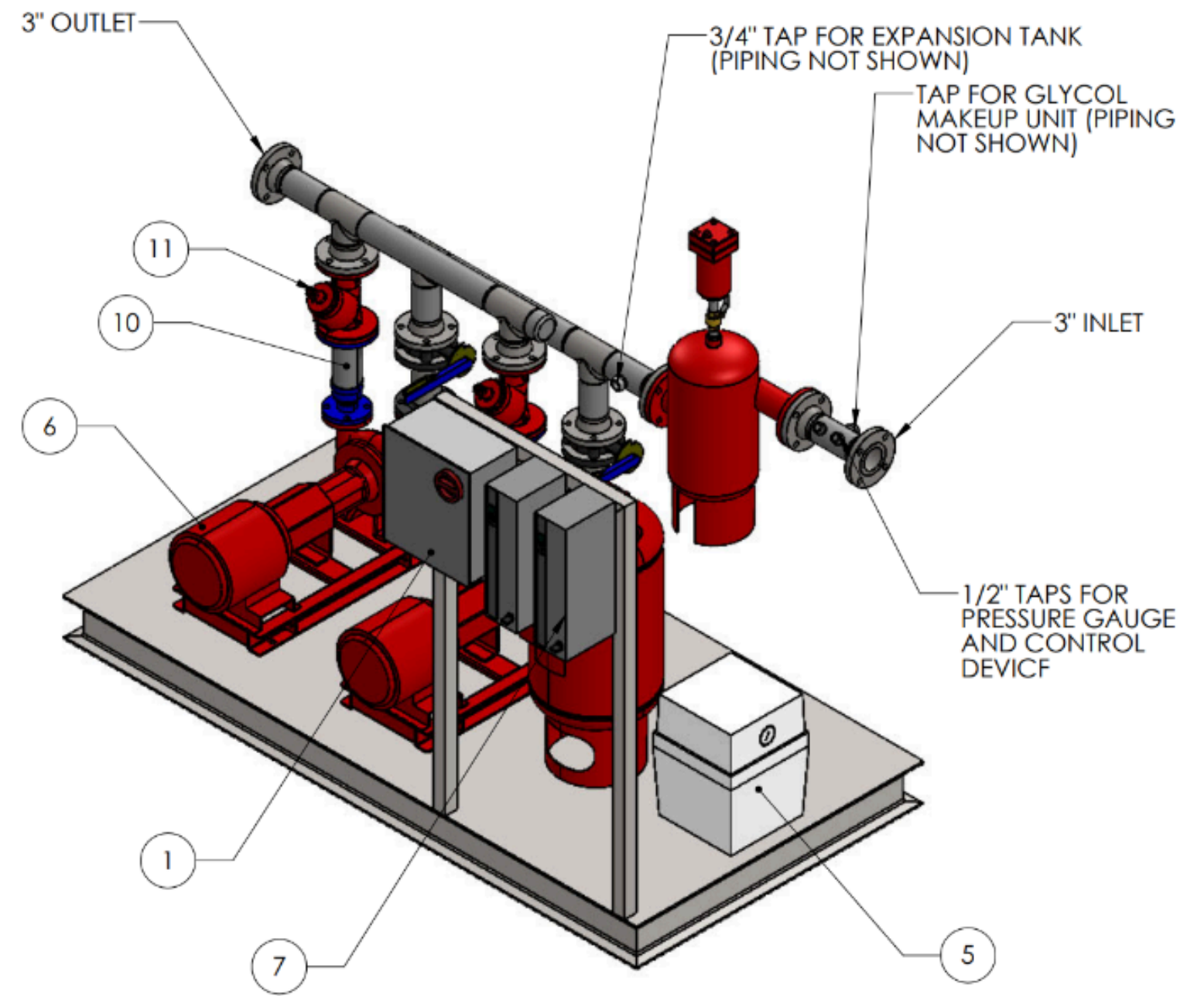
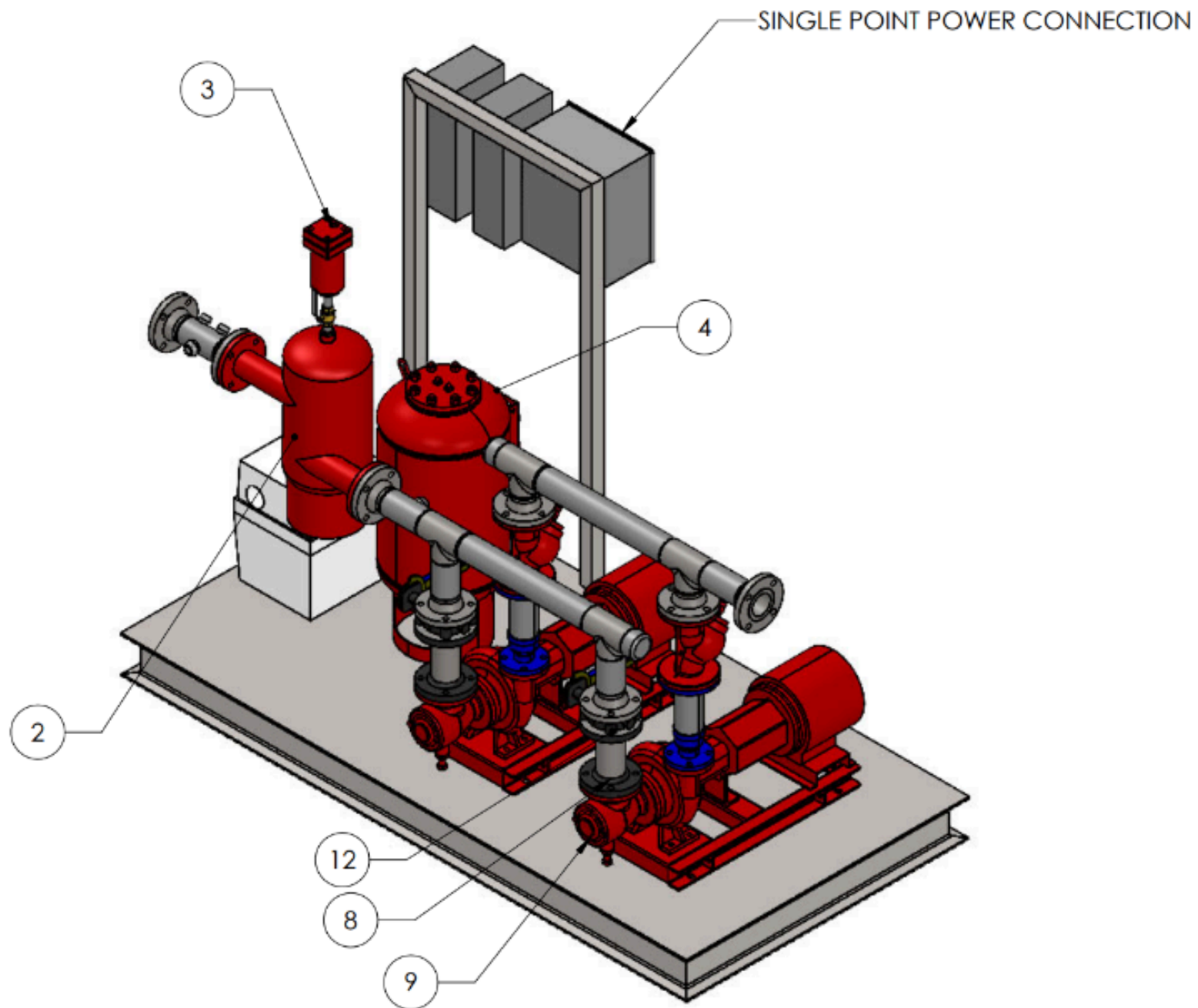


# Sample Chilled & Hot Water Pumping Package

---

Example documentation for reference only.  
Final drawings are project specific.

# Chilled & Hot Water Pumping Package #1

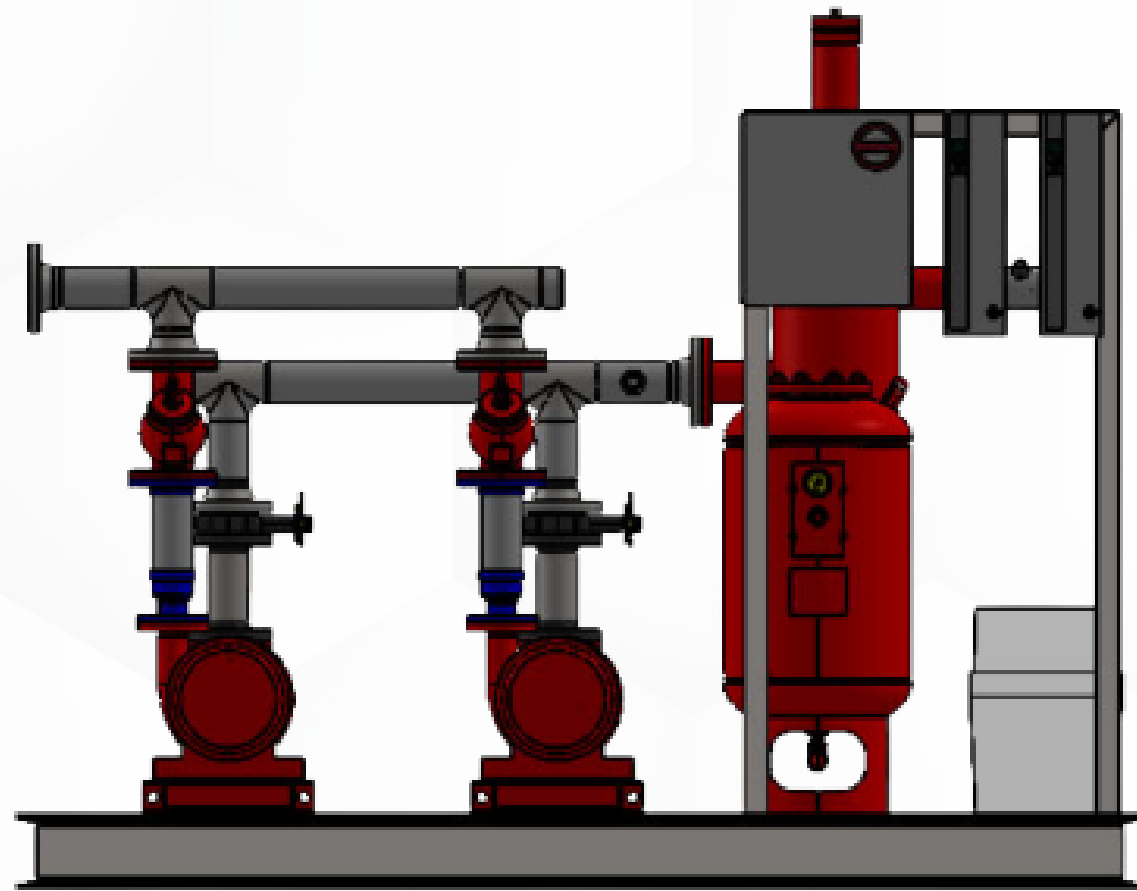


# Chilled & Hot Water Pumping Package #1

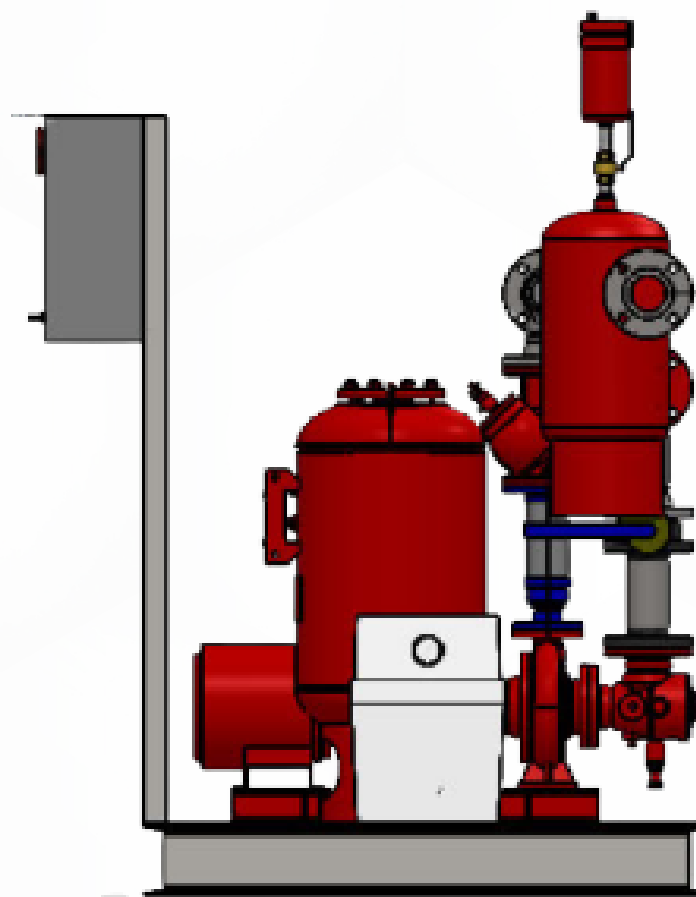


ITEM NO.	COMPONENT	QTY.
1	CONTROL PANEL	1
2	AIR SEPERATOR	1
3	AIR VENT	1
4	EXPANSION TANK	1
5	GLYCOL FEED UNIT	1
6	PUMP	2
7	VARIABLE SPEED DRIVE	2
8	FLEX CONNECTOR	2
9	SUCTION DIFFUSER	2
10	FLEXIBLE CONNECTOR	2
11	ISOLATION VALVE	2
12	ISOLATION VALVE	2

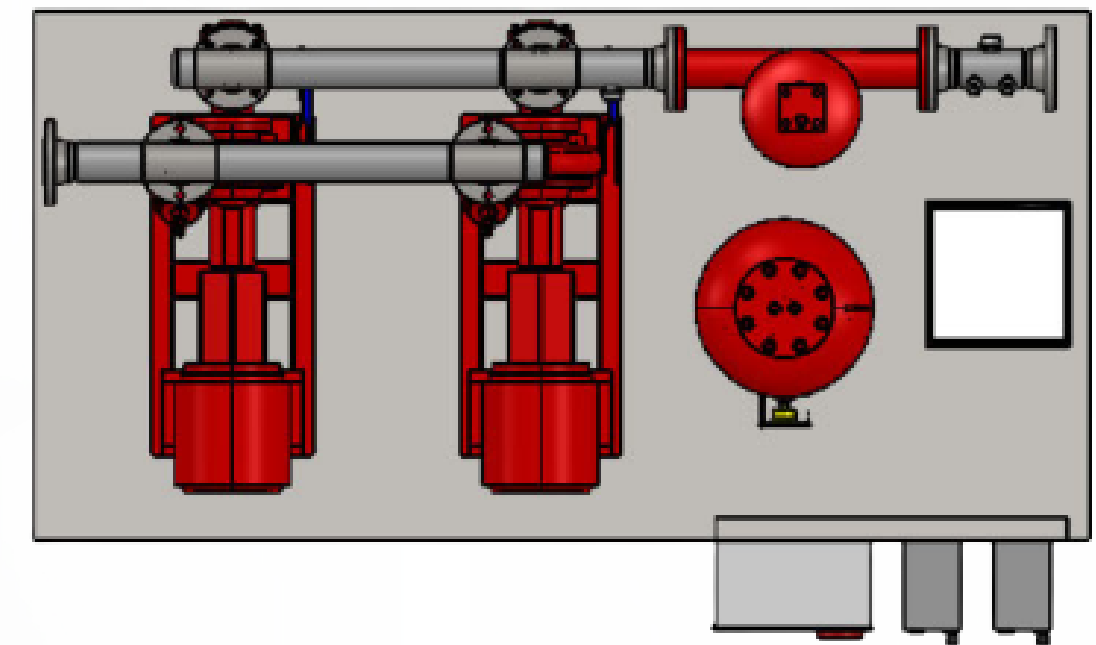
# Chilled & Hot Water Pumping Package #1



FRONT VIEW



SIDE VIEW



TOP VIEW

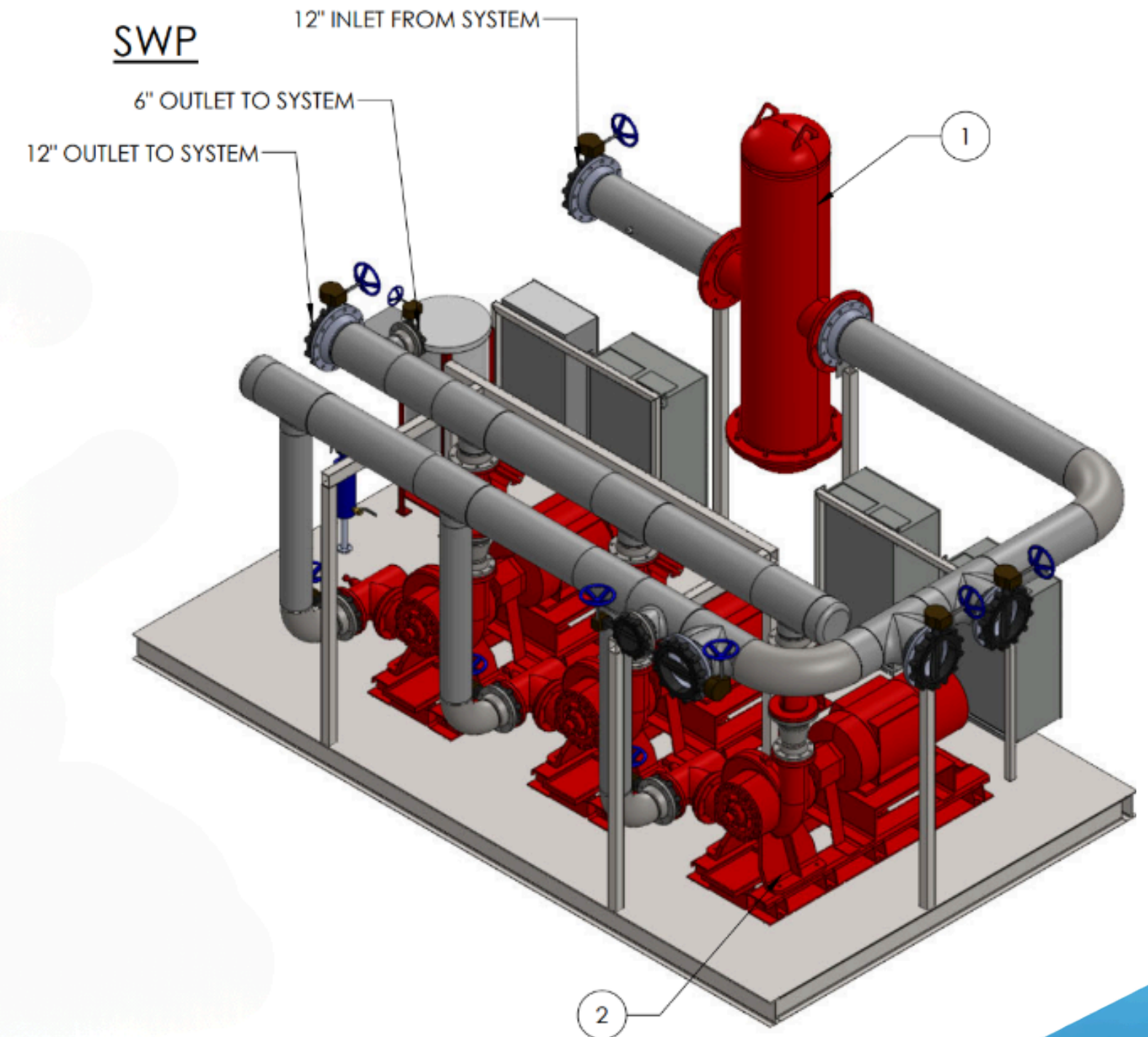
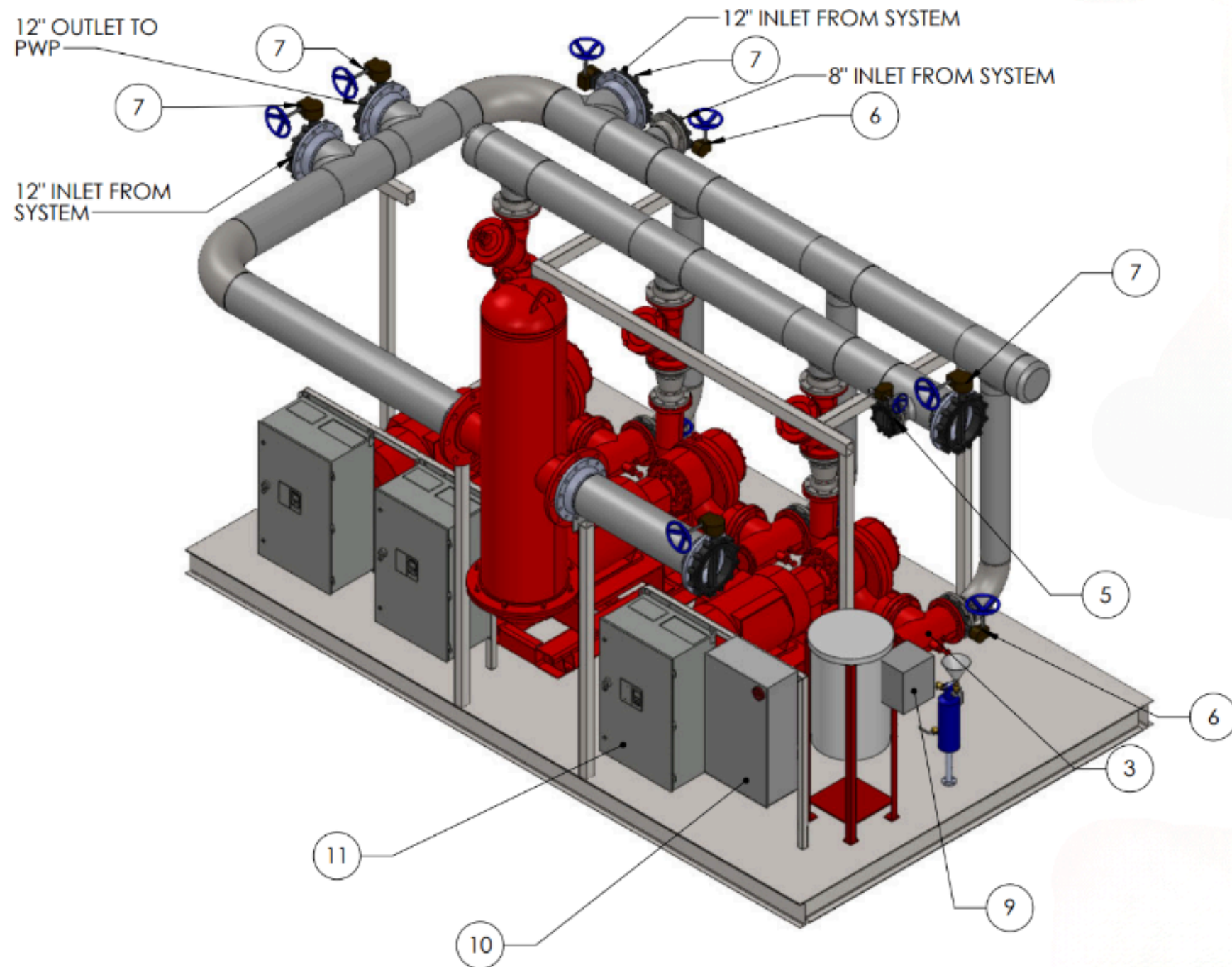


# Sample Chilled & Hot Water Pumping Package

---

Example documentation for reference only.  
Final drawings are project specific.

# Chilled & Hot Water Pumping Package #2

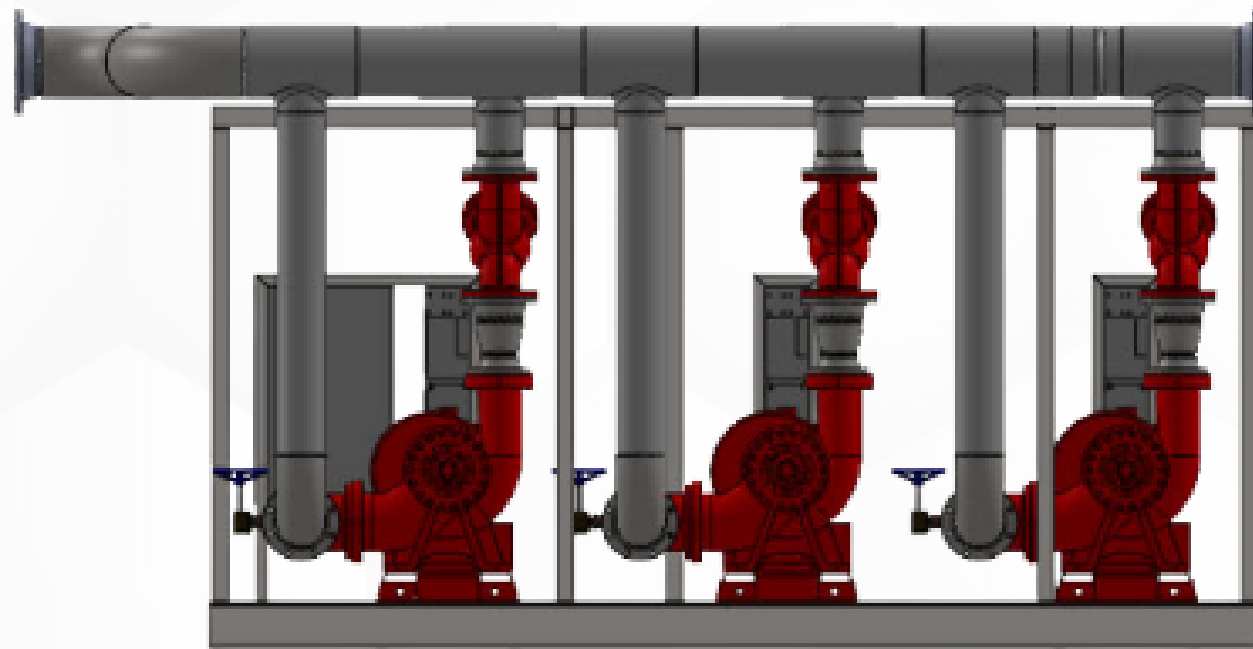


# Chilled & Hot Water Pumping Package #2

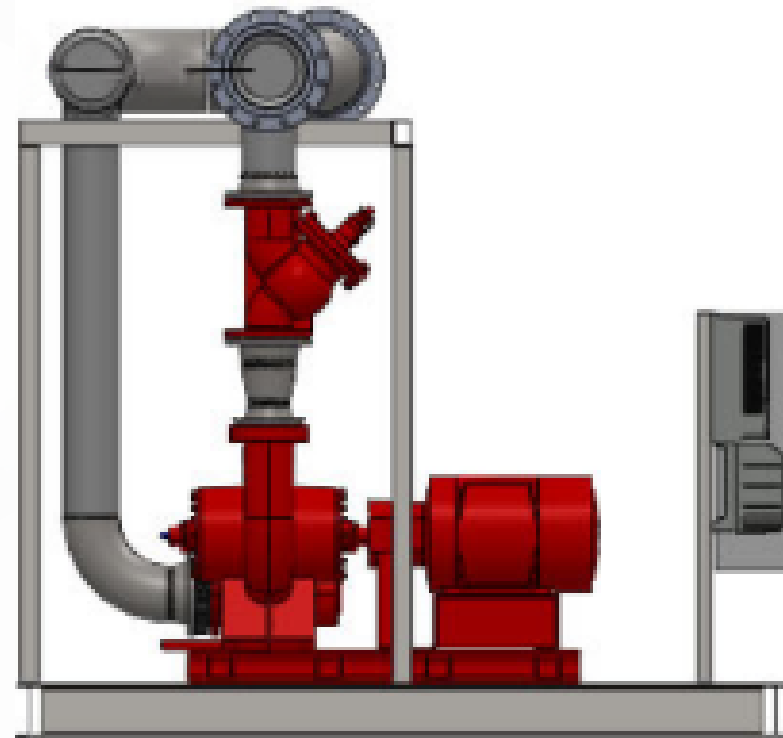


ITEM NO.	COMPONENT	QTY.
1	AIR SERPARATOR	1
2	PUMP	3
3	SUCTION DIFFUSER	3
4	ISOLATION VALVE	3
5	ISOLATION VALVE	1
6	ISOLATION VALVE	4
7	ISOLATION VALVE	5
8	SHOT FEEDER	1
9	GLYCOL MAKEUP UNIT	1
10	CONTROL PANEL	1
11	VARIBALE SPEED DRIVE	3

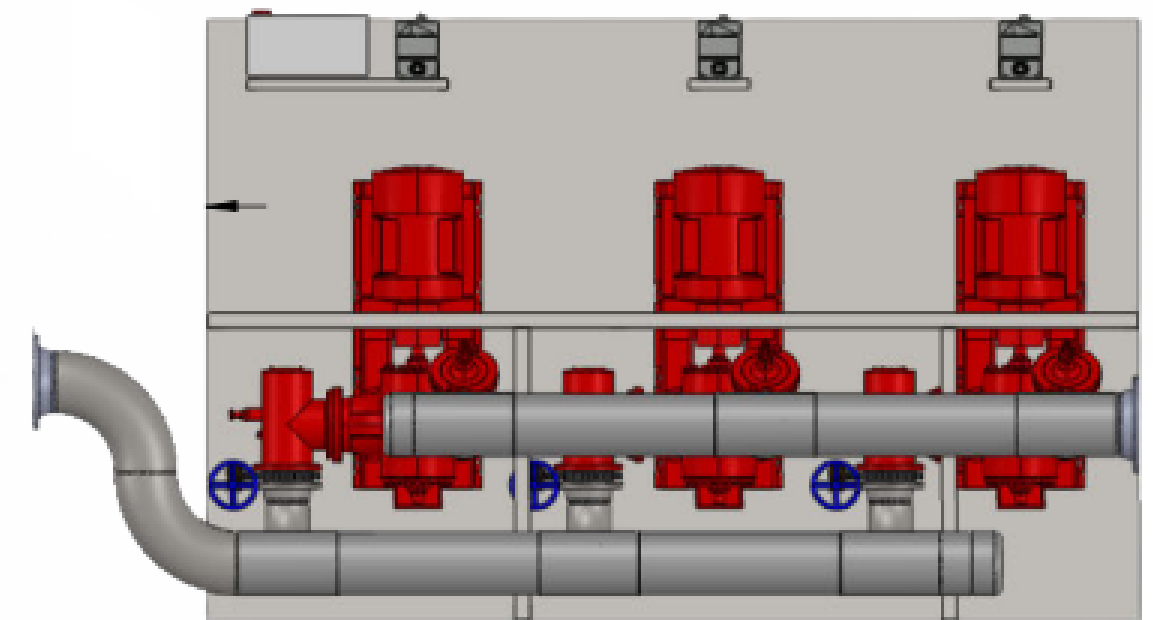
# Chilled & Hot Water Pumping Package #2



FRONT VIEW



SIDE VIEW



TOP VIEW



Example documentation for reference only.  
Final drawings are project specific.

---

To get more information and started with a  
quote contact a rep.

[CONTACT A REP](#)