

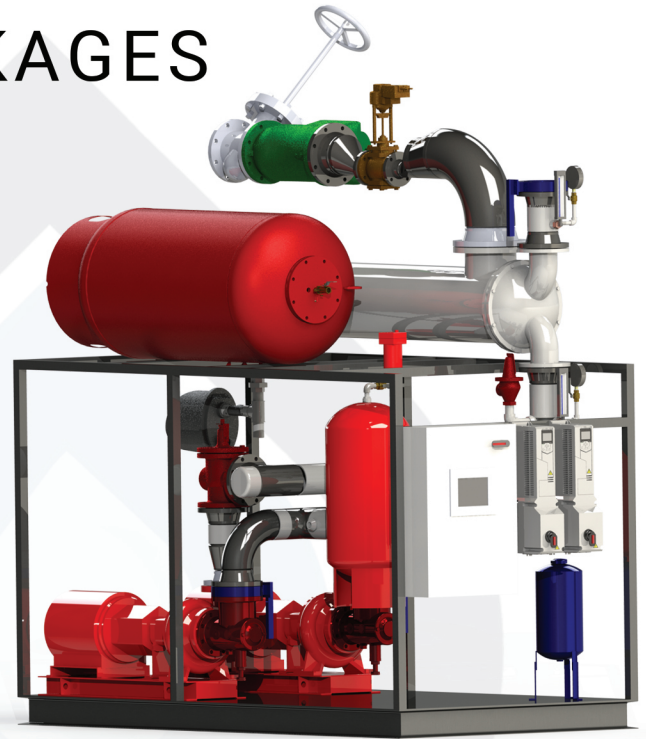
Job Name: _____
 Location: _____
 Engineer: _____
 Contractor: _____
 Submitted for: Reference Approval



ProPak Engineering Data Sheet

HEAT TRANSFER PACKAGES

Our knowledge of integrating mechanical, electrical, and control systems allows ProPak to deliver the perfect solution for your Heating System with our Steam to Water Heat Transfer Package. Each HTP is a standalone system including the heat exchanger, pumps, hydronic specialties, electrical distribution, and the PROCESS variable speed system controller, all installed on a single steel skid for quick and easy installation.



Exclusive ProPak Benefits:

- Completely pre-packaged system including all required equipment delivered on our ProPak frame which is designed to fit through a double doorway.
- Simplify the design process and save time using our drop-in-place Revit and CAD files.
- Fully assembled packages from ProPak mean there is only one responsible party and one point of contact when help or troubleshooting is required.

Standard Features:

- U-Tube Heat Exchanger
- Steam Supply Piping and Outlet Condensate Trap
- Base-Mounted Pumps with Variable Speed Drives
- Air Management and Makeup Water
- Single Point Electrical Connection and Stand-alone Control System

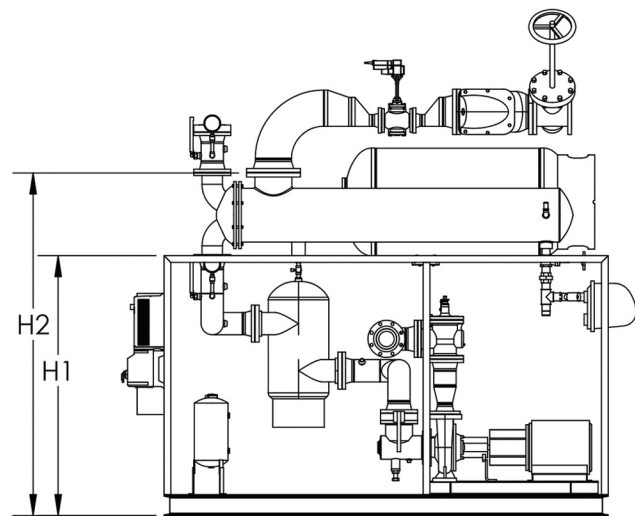
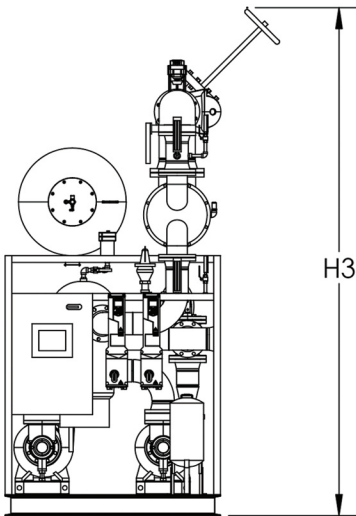
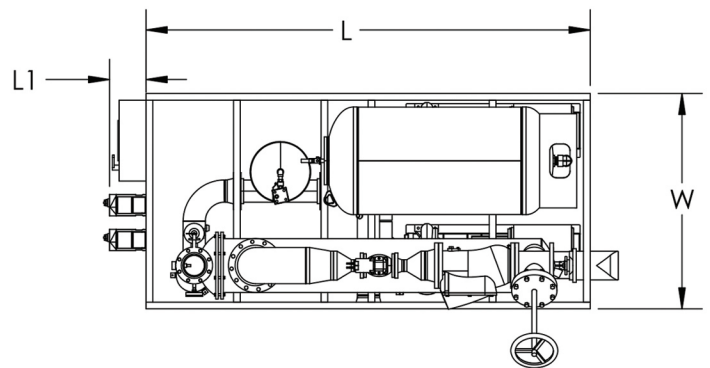
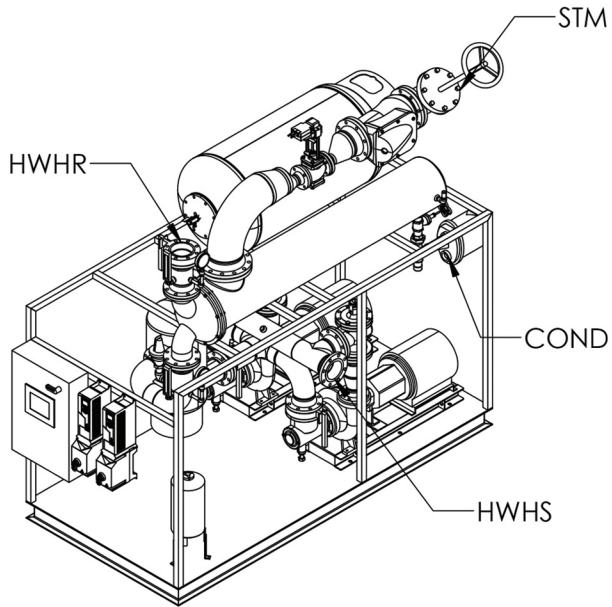
Optional Features:

- Duplex Heat Exchangers
- 1/3 - 2/3 Control Valves
- Pressure Reducing Station
- Condensate Return Pump
- Custom Controls
- Stainless Steel Piping and/or Specialty Valves

Specifications

Model	Max. Steam Load (MBH)	Max. HWH Flow Rate (GPM)	HWH Connection	Max. Steam Connection	Max. Condensate Connection
HTP0250	940	75	2-1/2"	2-1/2"	3/4"
HTP0300	1650	130	3"	4"	1"
HTP0400	3400	270	4"	6"	1-1/4"
HTP0600	10,000	800	6"	8"	2"

Heat Transfer Packages



Model	MAXIMUM						Weight
	L	L1	W	H1	H2	H3	
HTP0250	96	12	48	54	70	96	3000
HTP0300	96	12	48	54	70	96	3250
HTP0400	108	12	50	63	80	114	6000
HTP0600	132	12	64	78	102	152	7500



ProPakSolutions.com | (833) 776-7251

Formed by industry leaders who saw a need for packaged solutions, ProPak provides dependable, turn-key solutions that save you time and money. With over 100 years of combined experience, our team of industry veterans know how to get the job done right.

